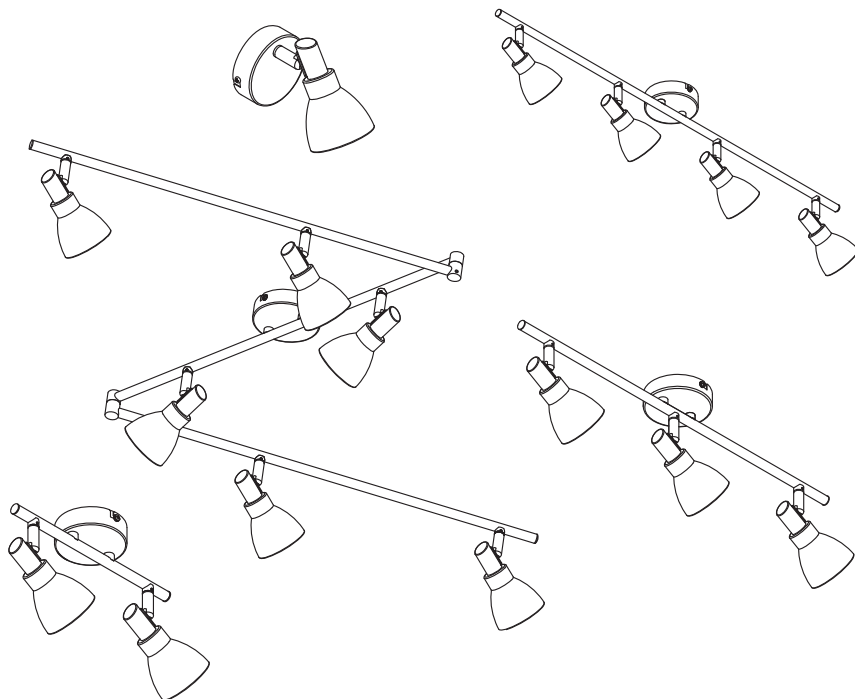

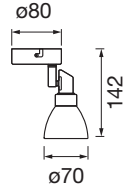






LED SPOT G9




	EAN	W	max. W (LED)	lm	K	θ_{amb} (°C)	V~	mA	Hz	PF
LED SPOT 1,9W 827 G9	4058075540620	1x1.9	1.9	200	2700	-20...+40	220-240	18	50/60	>0.4
LED SPOT 2X1,9W 827 G9	4058075540644	2x1.9	2x1.9	400	2700	-20...+40	220-240	36	50/60	>0.4
LED SPOT 3X1,9W 827 G9	4058075540668	3x1.9	3x1.9	600	2700	-20...+40	220-240	54	50/60	>0.4
LED SPOT 4X1,9W 827 G9	4058075540682	4x1.9	4x1.9	800	2700	-20...+40	220-240	72	50/60	>0.4
LED SPOT 6X1,9W 827 G9	4058075540705	6x1.9	6x1.9	1200	2700	-20...+40	220-240	108	50/60	>0.4

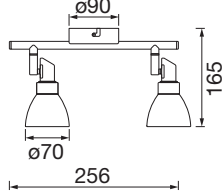
LED SPOT G9 1x1.9W  190g







2x  2x  1x  1x 


mm

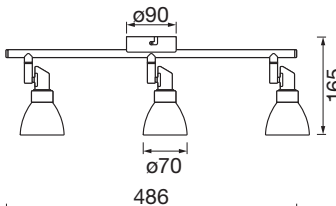
LED SPOT G9 2x1.9W  400g







2x  2x  2x  1x 


mm

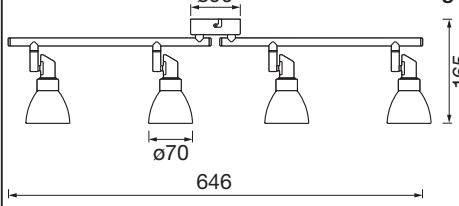
LED SPOT G9 3x1.9W  575g







2x  2x  3x  1x 


mm

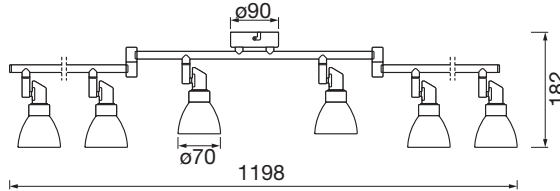
LED SPOT G9 4x1.9W  730g








2x  2x  4x  1x 

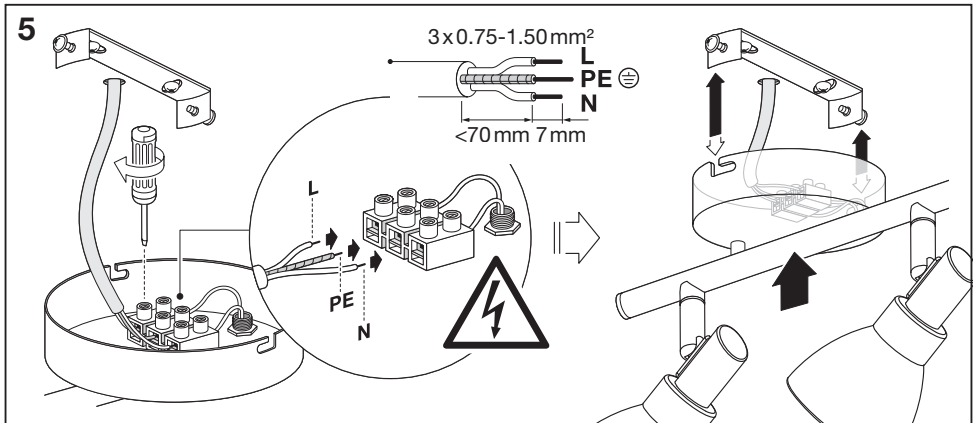
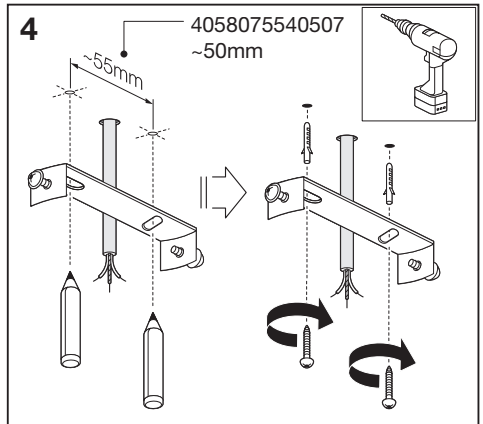
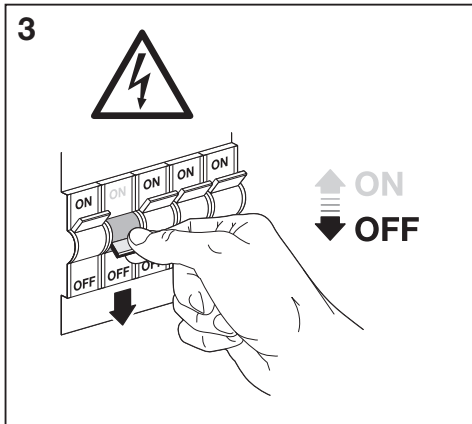
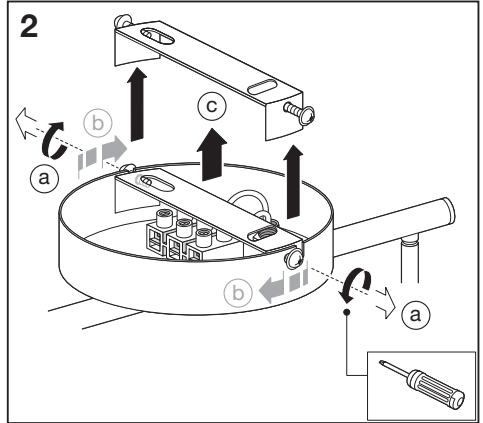
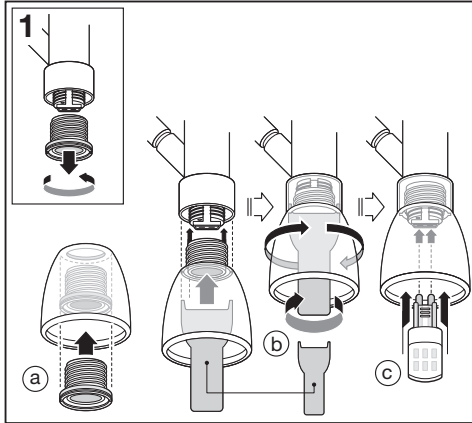
mm

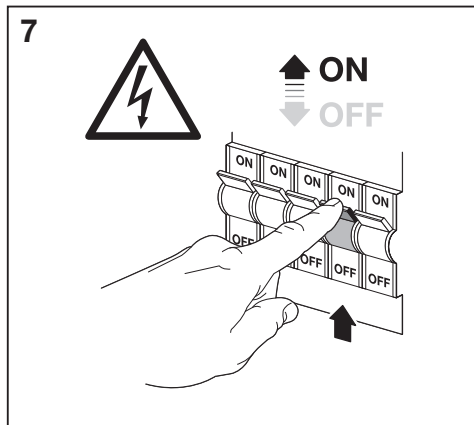
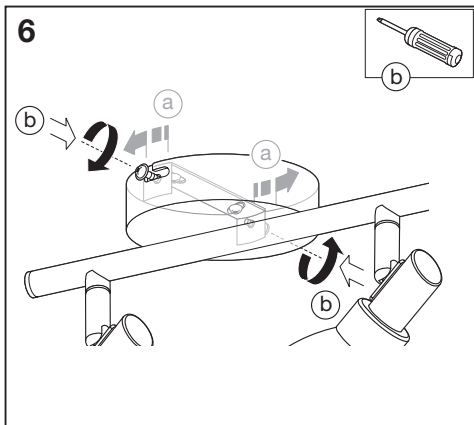
LED SPOT G9 6x1.9W  1200g



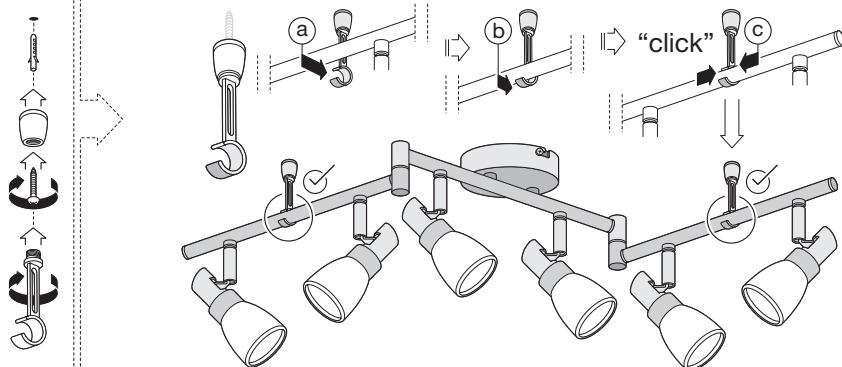
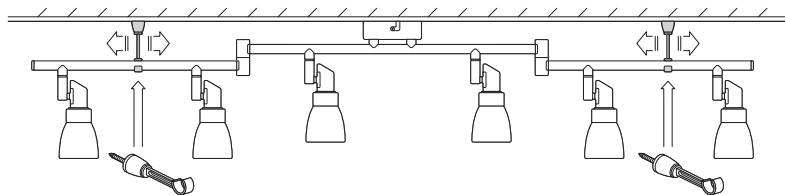
2x  2x  4x  6x  1x 

mm





LED SPOT G9 6x1.9W



RoHS

C10449057
G11082826
05.11.2020



LEDVANCE GmbH
Steinerne Furt 62
86167 Augsburg, Germany
www.ledvance.com