

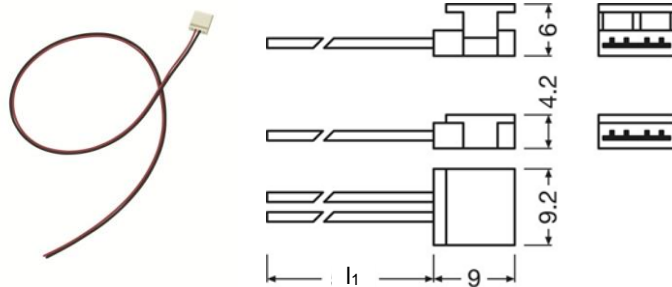
SLIMCONNECTsystem FLEX TECHNICAL DATASHEET



BENEFITS

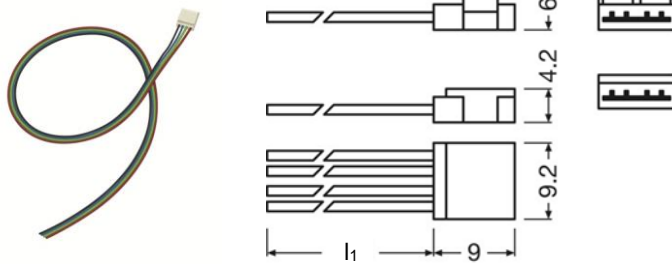
- Assembly without tools
- Robust connection
- Fits into SLIM TRACK
- Keep LED pitch at board to board connection
- Extension wires for connection across corners

Connectors



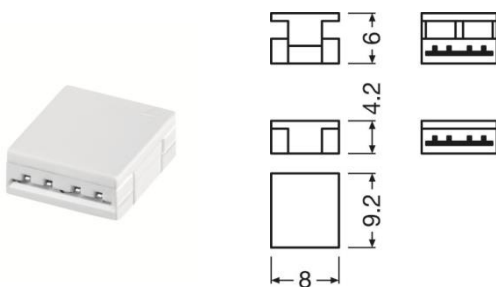
| Product | LF-2PIN Flex SC | LF-2PIN 1M Flex SC |
|----------------------------------|-----------------|--------------------|
| Order Code | 4008321832436 | 4052899087743 |
| Cable length l ₁ [mm] | 500 | 1000 |

| | |
|---|-------------|
| Rated insulation voltage | 25 V |
| Rated current | 5 A |
| Connector closing force | 45 N |
| LED PCB retention force | ≥ 15 N |
| Volume resistance | ≤ 30 mΩ |
| Conductor cross section AWG | 22 |
| Ambient temperature (storage/transport) | -40 – 85 °C |
| Ambient temperature (operation) LLT - ULT | -30 - 70 °C |



| Product | LF-4PIN Flex SC | LF-4PIN 1M Flex SC |
|----------------------------------|-----------------|--------------------|
| Order Code | 4052899904835 | 4052899087767 |
| Cable length l ₁ [mm] | 500 | 1000 |

| | |
|---|-------------|
| Rated insulation voltage | 25 V |
| Rated current | 5 A |
| Connector closing force | 45 N |
| LED PCB retention force | ≥ 15 N |
| Volume resistance | ≤ 30 mΩ |
| Conductor cross section AWG | 22 |
| Ambient temperature (storage/transport) | -40 – 85 °C |
| Ambient temperature (operation) LLT - ULT | -30 - 70 °C |

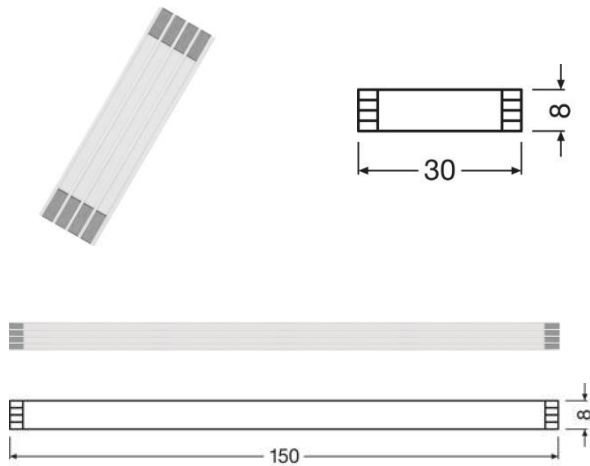


| Product | LF-CONN Flex SC |
|------------|-----------------|
| Order Code | 4008321832467 |

| | |
|---|-------------|
| Rated insulation voltage | 25 V |
| Rated current | 5 A |
| Connector closing force | 75 N |
| LED PCB retention force | ≥ 15 N |
| Volume resistance | ≤ 30 mΩ |
| Ambient temperature (storage/transport) | -40 – 85 °C |
| Ambient temperature (operation) LLT - ULT | -30 - 70 °C |

Due to the special conditions of manufacturing processes of LED, the typical data of technical parameters can only reflect statistical figures and do not necessarily correspond to the actual parameters of each single product which could differ from the typical data. Subject to change without notice. Errors and omissions excepted. Version: 2014-12-16

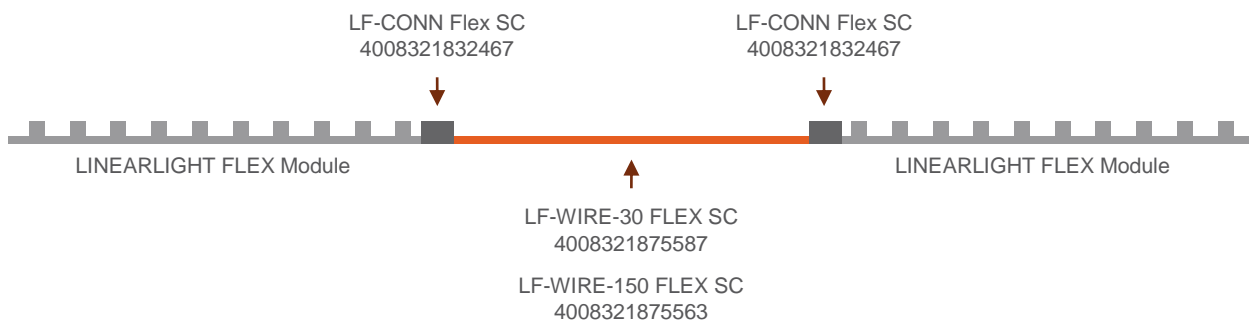
Extension Wires



| | |
|-------------------|--------------------|
| Product | LF-WIRE-30 FLEX SC |
| Order Code | 4008321875587 |

| | |
|-------------------|---------------------|
| Product | LF-WIRE-150 FLEX SC |
| Order Code | 4008321875563 |

How to apply the extension wires



Logistical Information

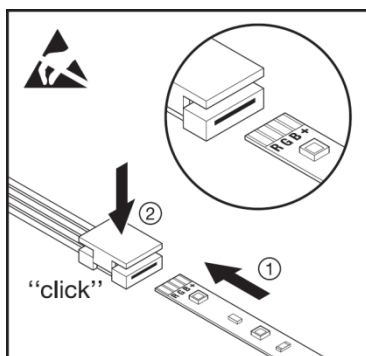
| Product | Order Number | Shipping Units |
|---------------------|---------------|----------------|
| LF-2PIN Flex SC | 4008321832436 | 10 |
| LF-2PIN 1M Flex SC | 4052899087743 | 10 |
| LF-4PIN Flex SC | 4052899904835 | 10 |
| LF-4PIN 1M Flex SC | 4052899087767 | 10 |
| LF-CONN Flex SC | 4008321832467 | 25 |
| LF-WIRE-30 FLEX SC | 4008321875587 | 100 |
| LF-WIRE-150 FLEX SC | 4008321875563 | 50 |

Due to the special conditions of manufacturing processes of LED, the typical data of technical parameters can only reflect statistical figures and do not necessarily correspond to the actual parameters of each single product which could differ from the typical data. Subject to change without notice. Errors and omissions excepted. **Version: 2014-12-16**

Safety information

- All components of the SLIMCONNECTsystem FLEX must be assembled to avoid any stress on the wires and/or board connectors. The installer must ensure that there is adequate strain relief between the board connection and the wiring.
- Installation of LED modules (with power supplies) needs to be made with regard to all applicable electrical and safety standards. Only qualified personnel should be allowed to perform installations.
- The connector has no inverse polarity protection. There will be no electrical function if connector is not well positioned or if polarity is inverse. Several modules can be damaged (see the respective module data sheet).
- The maximum operation current may not be exceeded.
- The SLIMCONNECTsystem FLEX is designed for indoor applications only. Any unprotected outdoor use is not allowed.
- A suitable enclosure IP67 is required if the system is to be exposed to humidity and /or dust. Condensation water in the IP67 enclosure is not allowed.

Assembly Information



- For electrical connection of the LINEARlight FLEX, both, module and connector must be positioned with the correct side up as shown in the graphic.
- Pay attention to the correct polarity between feeder and module:

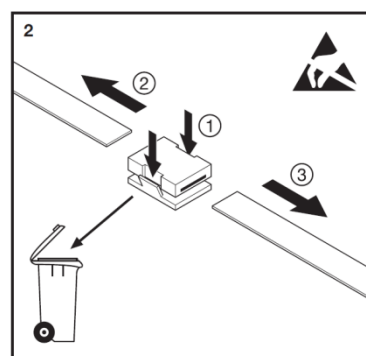
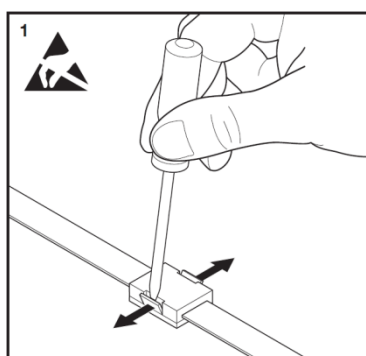
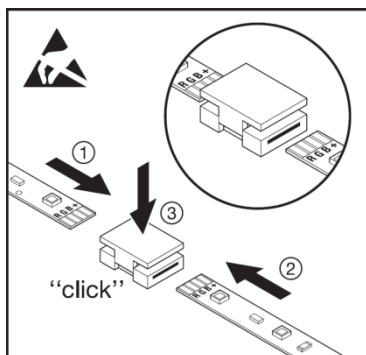
- **LF-2PIN Flex SC / LF-2PIN 1M Flex SC**
Black wire = “-” pole / red wire = “+” pole

- **LF-4PIN Flex SC / LF-4PIN 1M Flex SC**
Black wire = “+” pole / Blue Wire = “B”-pad / Green Wire = “G”-pad / Red Wire = “R”-pad

- **LF-CONN Flex SC**

Particular attention is required when using the connector for board to board connection: The '+' pole of the first module has to be connected to the '+' pole of the second module. In case of wrong polarity no light will be emitted and the modules can be damaged

- Then push the module into the connector and press on the connector to fix the connection. Make sure to work on a flat and robust surface.



- In order to maintain adequate electrical contact, the connectors are designed for single use. However, to reuse the connected PCB, a removal is possible but will result in the destruction of the connector.

Due to the special conditions of manufacturing processes of LED, the typical data of technical parameters can only reflect statistical figures and do not necessarily correspond to the actual parameters of each single product which could differ from the typical data. Subject to change without notice. Errors and omissions excepted. **Version: 2014-12-16**

Matching LINEARLIGHT FLEX modules

| Family | Product Name | EAN | Color | K | LF-2PIN Flex SC 4008321832436 | LF-2PIN 1M Flex SC 4052899087743 | LF-4PIN Flex SC 405289904835 | LF-4PIN 1M Flex SC 4052899087767 | LF-CONN Flex SC 4008321832467 | LF-WIRE-30 FLEX SC 4008321875587 | LF-WIRE-150 FLEX SC 4008321875563 |
|--|----------------|---------------|--------|------|----------------------------------|-------------------------------------|---------------------------------|-------------------------------------|----------------------------------|-------------------------------------|--------------------------------------|
| LINEARlight POWER Flex | LF06P2-W5F-827 | 4008321971272 | white | 2700 | x | | | | x | x | x |
| | LF06P2-W5F-830 | 4008321971296 | white | 3000 | x | | | | x | x | x |
| | LF06P2-W5F-840 | 4008321971319 | white | 4000 | x | | | | x | x | x |
| | LF06P2-W5F-850 | 4008321971791 | white | 5000 | x | | | | x | x | x |
| | LF06P2-W5F-865 | 4008321971333 | white | 6500 | x | | | | x | x | x |
| LINEARlight Flex® ShortPitch | LF06S-W3F-827 | 4008321973887 | white | 2700 | x | | | | x | x | x |
| | LF06S-W3F-830 | 4008321973894 | white | 3000 | x | | | | x | x | x |
| | LF06S-W3F-840 | 4008321973900 | white | 4000 | x | | | | x | x | x |
| | LF06S-W3F-850 | 4008321973917 | white | 5000 | x | | | | x | x | x |
| | LF06S-W3F-865 | 4008321973924 | white | 6500 | x | | | | x | x | x |
| LINEARlight Flex® ADVANCED | LF06A-W3F-827 | 4008321973986 | white | 2700 | x | | | | x | x | x |
| | LF06A-W3F-830 | 4008321973993 | white | 3000 | x | | | | x | x | x |
| | LF06A-W3F-840 | 4008321974006 | white | 4000 | x | | | | x | x | x |
| | LF06A-W3F-850 | 4008321974013 | white | 5000 | x | | | | x | x | x |
| | LF06A-W3F-865 | 4008321974020 | white | 6500 | x | | | | x | x | x |
| LINEARlight Flex® ADVANCED (Monochromatic) | LF05A2-B3 | 4052899924123 | blue | - | x | | | | x | x | x |
| | LF05A2-T3 | 4052899924116 | green | - | x | | | | x | x | x |
| | LF05A2-R3 | 4052899924086 | red | - | x | | | | x | x | x |
| | LF05A2-Y3 | 4052899924109 | yellow | - | x | | | | x | x | x |
| | LF05A2-O3 | 4052899924093 | orange | - | x | | | | x | x | x |
| LINEARlight Flex® ECO | LF05E2-W2F-827 | 4008321971357 | white | 2700 | x | | | | x | x | x |
| | LF05E2-W2F-730 | 4008321971371 | white | 3000 | x | | | | x | x | x |
| | LF05E2-W2F-740 | 4008321971395 | white | 4000 | x | | | | x | x | x |
| | LF05E2-W2F-865 | 4008321971418 | white | 6500 | x | | | | x | x | x |
| | LF05E-B2 | 4008321955425 | blue | - | x | | | | x | x | x |
| | LF05E-R1 | 4008321955418 | red | - | x | | | | x | x | x |
| | LF05E-T2 | 4008321955449 | green | - | x | | | | x | x | x |
| | LF05E-Y1 | 4008321955432 | yellow | - | x | | | | x | x | x |
| LINEARlight Colormix Flex | LF05CA2-RGB3 | 4008321851536 | RGB | - | | | x | | x | x | x |

Contacts & Information

OSRAM GmbH

Marcel-Breuer-Straße 6, 80807 Munich, Germany
www.osram.com
+49.89.6213-0

Sales and technical support is given by the local OSRAM subsidiaries.
On the OSRAM website all subsidiaries are listed with complete address and phone numbers.

OSRAM LED Systems
OSRAM catalogue
General information

www.osram.com/led-systems
<http://catalog.osram.com>
www.osram.com

Due to the special conditions of manufacturing processes of LED, the typical data of technical parameters can only reflect statistical figures and do not necessarily correspond to the actual parameters of each single product which could differ from the typical data.
Subject to change without notice. Errors and omissions excepted. **Version: 2014-12-16**