

DIM MCU



Manual control unit
Operating instructions

Description

Purpose and application

The DIM MCU electronic potentiometer (manual control unit) controls up to 50 dimmable electronic control gears and enables the manual brightness control of luminaires. The potentiometer is mounted in flush device boxes.

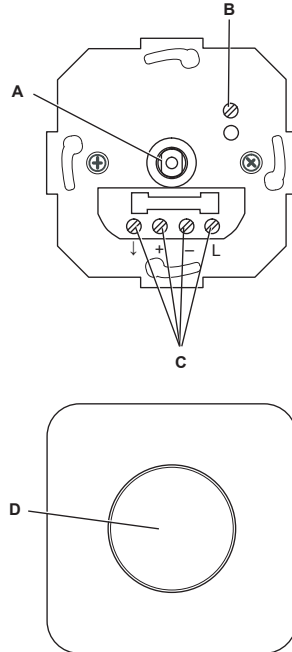
Function

The potentiometer converts rotations into 1...10V voltage signals, which are transmitted to the dimmable electronic control gears. Pressing on the rotary knob switches the mains voltage on/off via a relay.

Design

The potentiometer is made up of the following components:

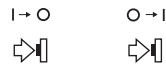
- Rotary potentiometer (A)
- Connections (C)
 - Control lines (+, -)
 - Dimmed + switched phase (↓)
 - Phase (L)
- Trimmer (B)
- Housing with rotary knob (D)



Operation

Symbols

- | | | | |
|--|-------------|--|-----------------------|
| | Rotary knob | | Short press (< 0.5 s) |
| | Rotary knob | | |



Switching luminaire on and off

Via short press on rotary knob.

Changing the brightness

To increase the brightness: Turn the rotary knob to the right.



To reduce the brightness: Turn the rotary knob to the left.

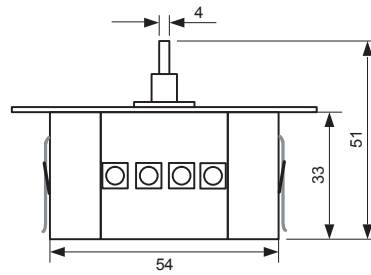
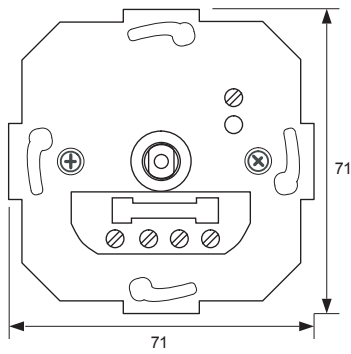
Defining the minimum brightness value

- ① Switch on if necessary.
- ② Turn the rotary knob all the way to the left.
- ③ Remove the housing with the cover.
- ④ Turn the trimmer to adjust the minimum brightness.
- ⑤ Reattach the housing with the cover.



Technical data

| | |
|---------------------------------|--|
| Operating voltage | 230 V AC, 50-60 Hz |
| Switching output load capacity | Max. 6 A resistive load (10 single-lamp ECGs or 5 two-lamp ECGs) |
| Control output load capacity | Max. 40 mA (max. 50 OSRAM 1...10V ECGs or 16 DIM SA signal amplifiers) |
| Permissible line cross section | Max. 1.5 mm ² |
| Permissible ambient temperature | 0 °C ... 50 °C |
| Protection type | IP 20 |
| Protection class | II |
| Dimensions | Flush-mounted part (Ø x H): 54 x 33 mm Mounting plate (L x W): 71 x 71 mm |



Dimensions