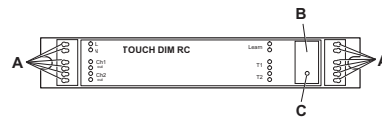


TOUCH DIM RC



Radio receiver module Fitting instructions



Purpose and application

The TOUCH DIM RC radio receiver module enables the wireless control of two luminaire groups, each with up to 15 electronic control gears featuring the TOUCH DIM[®] function. The radio receiver can be installed in luminaires or, with the optional cable strain relief kit LMS CI BOX, in suspended ceilings.

Function

The radio receiver converts the radio signals from TOUCH DIM WCU wall transmitters or TOUCH DIM RMC hand-held transmitters to TOUCH DIM signals and transmits these to the connected electronic control gears.

Design

The radio receiver is made up of the following components:

- Connections (A):
 - L, N: power supply
 - Ch 1, Ch 2: floating outputs, e.g. for connecting electronic control gear (channels 1 and 2)
 - Learn: optional pushbutton input for training and untraining wall-mounted/hand-held transmitters
 - T1, T2: optional pushbutton inputs for control via a cable
- „Press to activate learn mode“ button for training/untraining wall-mounted/hand-held transmitters (B)
- LED (C)

Installation

Safety instructions

The radio receiver must only be installed and put into operation by a qualified electrician. The applicable safety regulations and accident prevention regulations must be observed.



WARNING!

Exposed, live cables.

Danger of electric shock!

- Only work on the radio receiver if it has been de-energised.

CAUTION!

Destruction of the radio receiver and other devices due to incorrect installation!

- Adhere to the connection diagram.
- Do not exceed the maximum number of electronic control gears.
- Only use OSRAM electronic control gear or transformers with the TOUCH DIM function.
- Only supply the radio receiver with an AC operating voltage, especially in networks with UPS systems.
- Do not wire pushbutton inputs (learn, T1, T2) with an external voltage, especially not a mains voltage of 230 V.

Selecting the installation location

Observe the guide values for the radio transmission ranges when selecting an installation location; see „Technical data“. If necessary, perform a range test before installing the unit.

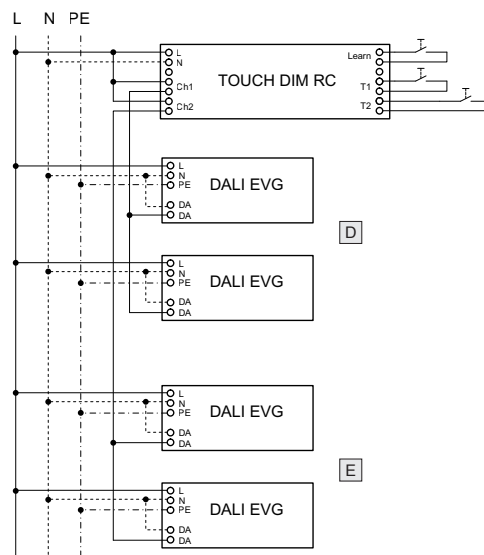
The radio transmission range between the wall-mounted/hand-held transmitter and radio receiver is influenced by the following factors:

- Construction materials
- Type and number of obstacles between the transmitter and receiver
- Sources of interference and signal reflections

Connecting the radio receiver

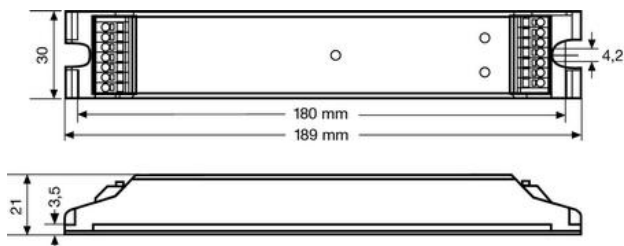
D Luminaire group on channel 1 (Ch 1)

E Luminaire group on channel 2 (Ch 2)



Technical data

Operating voltage	220-240 V / 50-60 Hz
Current consumption	Approx. 9 mA
Power consumption	Max. 1.5 W
Inputs (learn, T1, T2)	Inputs for floating make contacts
Outputs (Ch 1, Ch 2)	Floating semiconductor relay, max. 45 mA / 240 V
Load capacity of signal output (electronic control gears per output)	Max. 15 QTi DALI ECG or HTI transformers or 15 QT DALI ECG
Max. number of wall-mounted/hand-held transmitters	30
Operating temperature	0 °C ... +50 °C
Frequency band	868.3 MHz
Integrated over-heating protection	Resets independently, not replaceable
Functional range	In the open air: Approx. 300 m Halls: Approx 100 m Passageways and corridors: Approx. 50 m Rooms with wooden or plasterboard walls: Approx. 30 m (max. 7 walls) Rooms with brick or autoclaved aerated concrete walls: Approx. 20 m (max. 3 walls) Rooms with reinforced concrete walls: Approx. 10 m (max. 1 wall)
Protection class	II
Protection type	IP 20
Dimensions (L x W x H)	189 x 30 x 21 mm



Dimensioned drawing

IV 2009
TOUCH-DIM-RC_ma0904en_we1.01.indd

OSRAM GmbH
Kunden Service Center
Customer-Service-Center (CSC)
Steinerne Furt 62
86167 Augsburg
Germany
Tel : +49 (0) 1803 677 - 200
(kostenpflichtig / charges apply)
Fax.: +49 (0) 1803 677 - 202
www.osram.com
www.osram.de

