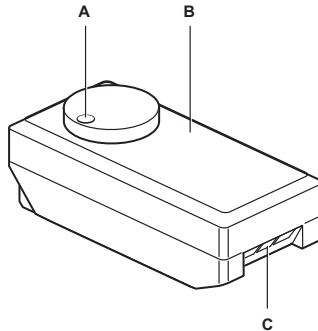


# TOUCH DIM LS LI



## Light sensor Operating instructions

### Description



### Purpose and application

The TOUCH DIM LS LI sensor regulates the brightness at the workplace and in office areas to increase the working comfort and to save energy.

The sensor can be installed in luminaires (e.g. floor standing luminaires) or in false ceilings.

### Function

The sensor measures the brightness in the area to be regulated and keeps this to an adjustable set value by introducing artificial light according to the amount of daylight available.

As the amount of daylight increases, artificial lighting is reduced.

### Design

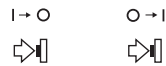
The sensor is made up of the following components:

- Light sensor (A)
- Housing (B)
- Connections (C) for signal line, neutral conductor and phase

### Operation

#### Symbols

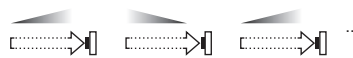
	Pushbutton on the luminaire		Luminaire on
	Switch on		Luminaire off
	Switch off		Luminaire flashes
	Short press (< 0.5 s)		Brightness with automat. control
	Long press (0.5 – 4 s)		Confirmation of the setting
	Double-click		Manual dimming



### Switching luminaire on and off

Via short press.

Note: The luminaire is first switched on with minimum brightness. If a setpoint is predefined for brightness control, the brightness is controlled automatically.

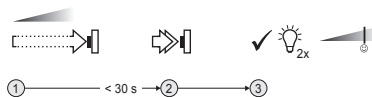


### Changing the brightness manually

Via long press.

Note: The brightness control is deactivated until the next time the luminaire is switched on.

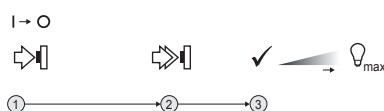
Each repeated long key button press causes a toggle between increased brightness and decreased brightness.



### Specifying set value for brightness control

Specifying the set value activates the brightness control.

- ① Set the desired brightness.
- ② Double-click
- ③ Confirmation: luminaire flashes.



### Deactivating brightness control

- ① Switch off if necessary.
- ② Double-click
- ③ Confirmation: maximum brightness.



## Troubleshooting

If you cannot remedy the fault, please contact the Customer Service department of the luminaire manufacturer.

### Luminaire does not function

No mains voltage.

→ Use a voltage tester to check for mains voltage.

Illuminant is faulty.

→ Replace the illuminant.

The luminaire was switched off via the pushbutton.

→ Switch on the luminaire.

The sensor is exposed to excessive amounts of ambient light.

→ Hold the sensor closed and observe the behaviour of the luminaire.

### Brightness is not adjusted to the selected set value

The pushbutton was not pressed within 30 seconds after the setpoint was adjusted

→ Double-click within 30 seconds after dimming manually.

Brightness control was not started until 5 seconds after the setpoint was adjusted.

→ Wait for the delay period to elapse.

Brightness control was deactivated by a manual operation.

→ Switch the luminaire off and on again.

No setpoint was saved.

→ Save a new setpoint.

### Luminaire does not react as expected to the press of a button

The pushbutton was pressed too long or too short.

→ See Changing the brightness manually.

## Appendix

The EMC requirements to EN 61547 are fulfilled.



Conformity with the relevant EU directives is confirmed by the CE symbol.