

VISION



Motion detector Operating instructions

Description

Purpose and application

The VISION motion detector detects the movements of people.

The sensor is attached to ceilings and is ideal for mounting at great heights and for wide detection areas. The unit is mounted directly in a dry lining box or using the „mounting adapter“, optionally available from OSRAM, to ensure that the installation conforms to the CE guidelines.

The VISION motion detector can be connected to any control component with a floating input that is designed for permanent contact (switch).

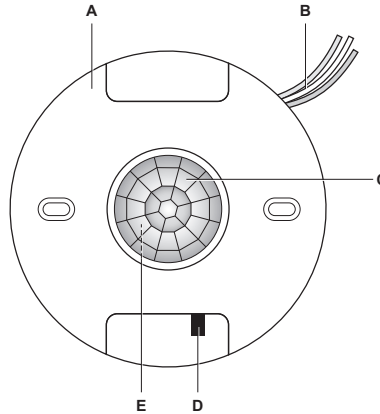
Function

The motion detector detects motion within a detection area of 360° and switches on the connected luminaires when motion is registered. When motion is no longer registered, the luminaires switch off after an adjustable delay period.

Design

The sensor is made up of the following components:

- Housing (A)
- Connection cable (B):
 - L: phase (black)
 - N: neutral conductor (blue)
 - Floating switch contact (2x white)
- Motion sensor (C)
- Button for setting the delay (D)
- LED (E)



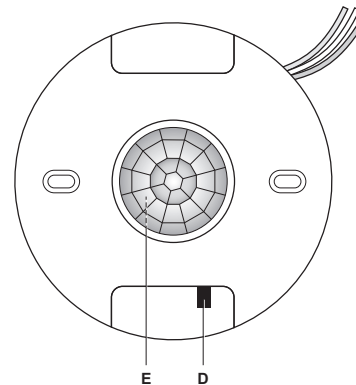
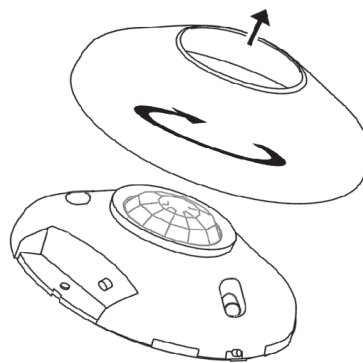
Operation

Setting the delay

Note: When the motion detector is connected to the mains supply for the first time, it requires a warm-up phase of 1-3 minutes during which the internal switch contact is calibrated and the sensor functions are activated. The delay cannot be started and the programming mode cannot be activated until this warm-up phase is completed.

- ① Unlock and remove the plastic cover by turning it anticlockwise.
- ② Press button (D) 2x.
The programming mode is activated. The currently set delay is indicated by flashing of the LED (E); see the table.
- ③ Press the button one or more times, depending on the required delay; see the table.
- ④ The newly set delay is confirmed by flashing of the LED; see the table. The confirmation is repeated three times.
- ⑤ Replace the plastic cover and lock it by turning it clockwise.

Press/flash	Delay
1x	30 s
2x	2.5 min
3x	5 min
4x	7.5 min
5x	10 min
6x	12.5 min
7x	15 min (default setting)
8x	17.5 min
9x	20 min



IX 2009
VISION_ba0911en_we1.01.indd

OSRAM GmbH
Kunden Service Center
Customer-Service-Center (CSC)

Steinerne Furt 62
86167 Augsburg
Germany

Tel : +49 (0) 1803 677 - 200
(kostenpflichtig / charges apply)
Fax.: +49 (0) 1803 677 - 202

www.osram.com
www.osram.de



4008321957047

Operation (cont.)

Troubleshooting

If you cannot remedy the fault, please contact the customer service department of the manufacturer.

The device is not functional

The sensor is not correctly connected to the mains supply.
→ Follow the fitting instructions.

The device is functional, but the switching functions are not being carried out

The warm-up phase after startup was not completed.
→ Follow the instructions under „Setting the delay“.

The floating switch contact is not connected correctly
→ Follow the fitting instructions.

The device is carrying out an undesired functional mode

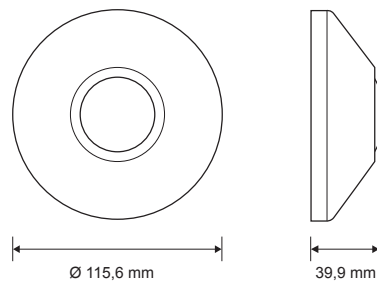
The delay is not set correctly.
→ Follow the instructions under „Setting the delay“.

Appendix

Technical data

Operating voltage	120 V ... 277 V AC / 50-60 Hz
Fuse	External 16 A
Switch output	Floating switch contact
Switch output load capacity	Max. 5 A – 230 V Inductive load: 250 VA Ohmic lamp: 1200 W Max. number of ECGs: QTP5: 10 pcs. 1x14-35 8 pcs. 1x54 / 2x14-35 6 pcs. 2x80 / 2x54 QTP8: 10 pcs. 1x58 6 pcs. 2x58 QT-FIT8: 10 pcs. 1x58 / 1x36 6 pcs. 2x58 / 2x36 QTi: 15 pcs. 1x28/54 10 pcs. 2x28/54 6 pcs. 2x35/49/80
Operating temperature	-10 °C ... +70 °C
Protection type	IP 20
Dimensions (Ø x H)	115.6 x 39.9 mm

Dimensioned drawing



The EMC requirements to EN 55015 are fulfilled.



Conformity with the relevant EU directives is confirmed by the CE symbol.