
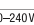


3DIM controlgear – Reliable, durable and efficient

OPTOTRONIC® 3DIM LED controlgear Constant current

CE   220–240V 50–60Hz



- Dimmable to 10% of maximum current
- Current setting with 3DIM or LEDset (75–700 mA)
- Constant lumen output feature
- Extremely long lifetime: Up to 85,000 hours
- Very high efficiency
- Zhaga compliant housing
- External NTC support
- Presence detection in AstroDIM
- High surge protection: Up to 4/6 kV (L/N)
- Suitable for protection class I and II luminaires
- Configuration via 3DIM Tool

Constant voltage

CE   50–60Hz



- Dimmable to 1% of maximum power
- Long lifetime: Up to 50,000 hours
- Very high efficiency
- High surge protection: Up to 4 kV (L/N)
- Suitable for protection class I and II luminaires
- Configuration via 3DIM Tool

POWERTRONIC® 3DIM HPD lamp controlgear

CE   220–240V 50–60Hz

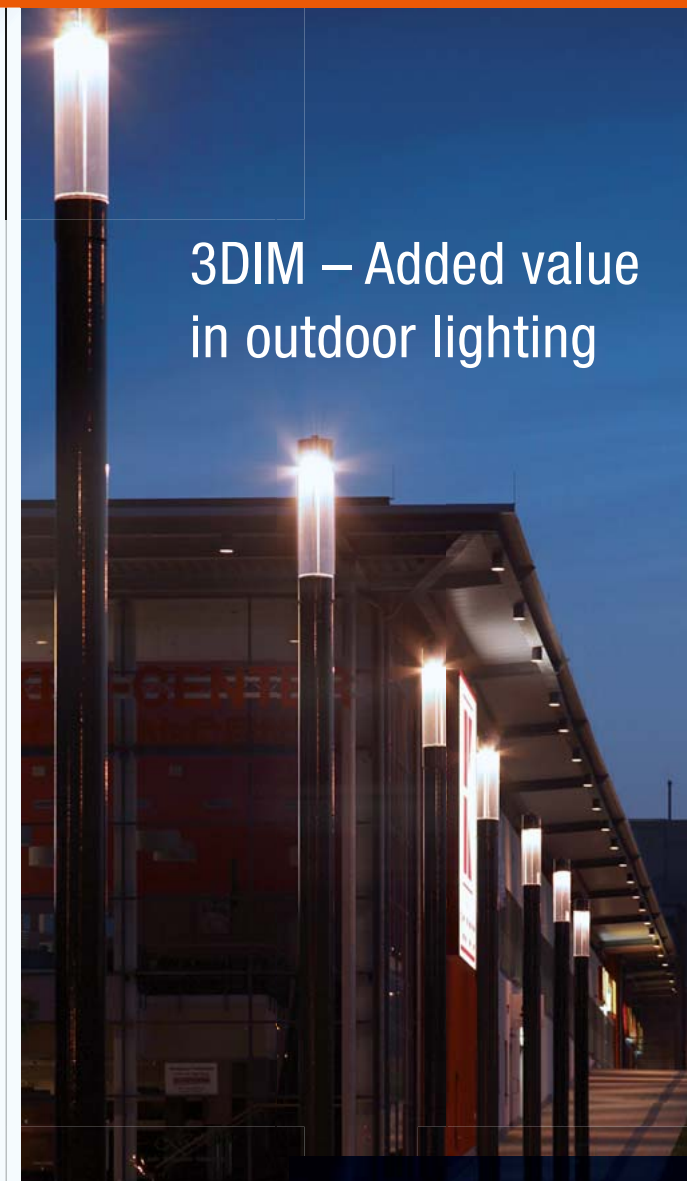


- Dimmable to 60% of maximum power
- Suitable for NAV® and HCI® lamps
- Long lifetime: Up to 60,000 hours
- Energy efficiency A2
- Extremely high surge protection (up to 10 kV)
- Suitable for protection class I and II luminaires
- Configuration via 3DIM Tool

3DIM. Innovative and efficient drivers.

The key topics of our time – energy efficiency and sustainability are changing the demands in street and outdoor lighting. Long-standing experience allows OSRAM to answer this growing demand for innovative and economic solutions with the 3DIM concept – a new generation of controlgear with dedicated light management features. This well balanced multipurpose concept covers the two main outdoor lighting technologies, high pressure discharge lamps and LED modules. Therefore 3DIM is a future-proof approach with a consistent coverage of the ongoing technology transition in lighting. With the integrated dimming features 3DIM devices open up immense energy saving potentials regardless whether they are retrofitted to existing or designed into new luminaires.

3DIM – Added value in outdoor lighting



71K5011GB 03/13 CO OSRAM S-GI-EM-MK-AB Subject to change without notice. Errors and omission excepted.

OSRAM GmbH

Head Office
Marcel-Breuer-Strasse 6
80807 Munich
Germany
Phone +49 (0)89-6213-0
Fax +49 (0)89-6213-20 20
www.osram.com



3DIM DALI
StepDIM
AstroDIM

OSRAM 

3DIM – Flexible dimming, control and communication

The 3DIM functionality is embedded in OPTOTRONIC® controlgear for LED modules and POWERTRONIC® controlgear for high pressure discharge lamps. 3DIM embodies three different control and dimming functions in one electronic controlgear:

DALI® – Digital interface for bi-directional communication

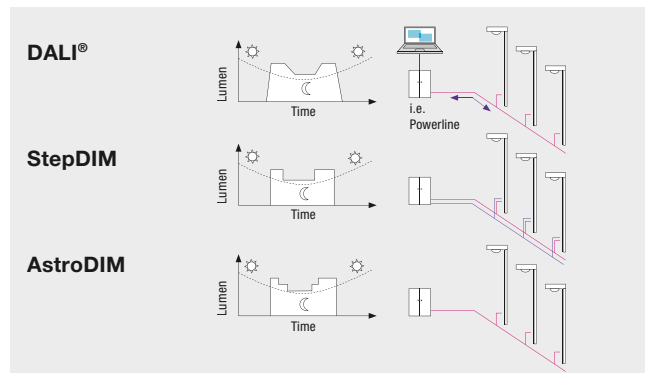
- DALI® – is a non-proprietary and widely used communication standard, that has been specially developed for lighting solutions
- Via the DALI® interface 3DIM devices can be integrated in bidirectional light management systems enabling flexible control and monitoring such as Osram's Street Light Control System (SLC).

StepDIM – Dimming with an external control line

- 3DIM devices can be integrated in existing step- and reduced load circuits, replacing magnetic controlgear StepDIM means switching between two power levels, “normal” and “reduced”, via an additional 230V switched phase

AstroDIM – Independed two-level dimming

- AstroDIM enables 3DIM devices to achieve energy savings without an external control infrastructure
- The internal AstroDIM timer records the operating time of the lighting system and reduces the output power at the required times



For further information: www.osram.com/3dim

3DIM Tool – Software for customized configurations

Via the “3DIM Tool” and the “DALI magic” hardware interface, 3DIM devices can be individually configured towards the specific application needs.



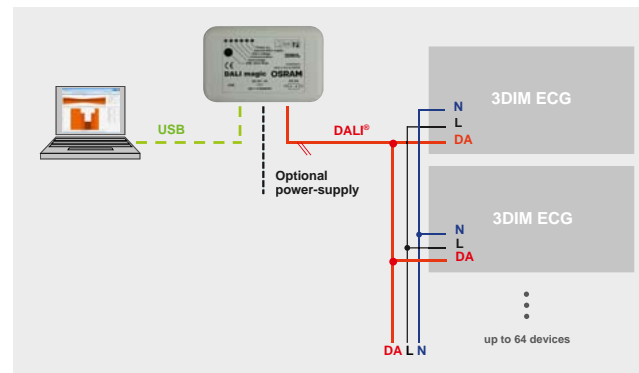
3DIM Tool – Software

- Enables tailor-made StepDIM and AstroDIM configurations
- Fast and intuitive programming of up to 64 3DIM devices at once
- Visualisation of in-field operation (Preview function)
- Dedicated “manufacturing mode” enables easy ECG commissioning
- Constant lumen output, temperature protection and nominal current setting (OPTOTRONIC® ECG)
- Report creation feature for consistent manufacturing documentation



DALI magic – Hardware

- Enables programming of 3DIM devices, via “3DIM Tool” software
- USB to DALI® connection



OPTOTRONIC® 3DIM controlgear for LED modules

Product reference	Product number	Output Current	Output Power	Temperature
OT 50/220-240/700 3DIMLT E*	4008321664457	75–700 mA	54W	-30...+60
OT 50/220-240/700 3DIMLT+ E*	4008321863539	75–700 mA	54W	-30...+60
OT 65/220-240/24 3DIM E	4008321964403	24V	65W	-25...+55
OT 90/220-240/700 3DIMLT E*	4008321664471	75–700 mA	90W	-30...+55
OT 90/220-240/700 3DIMLT+ E*	4008321863515	75–700 mA	90W	-30...+55
OT 150/220-240/700 3DIMLT+ E*	4008321978202	75–700 mA	150W	-30...+55

*LT = LEDset www.osram.com/LEDset

POWERTRONIC® 3DIM controlgear for HPD lamps

Product reference	Product number	Supported lamps	Lamp Power	Temperature
PTo 50/220-240 3DIM	4008321956347	HCI, NAV	50W	-25...+55
PTo 70/220-240 3DIM	4008321959355	HCI, NAV	73W	-25...+55
PTo 100/220-240 3DIM	4008321956361	HCI, NAV	97W	-25...+55
PTo 150/220-240 3DIM	4008321956385	HCI, NAV	147W	-25...+55

Accessory

Product reference	Product number	Interface	Temperature
DALI magic	4008321582768	USB/DALI	0...+50