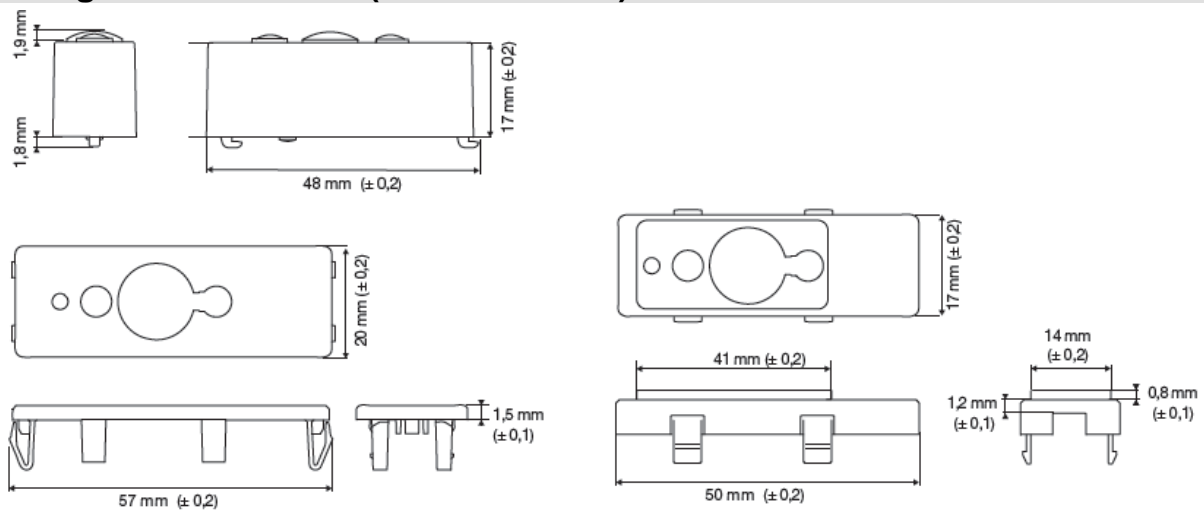
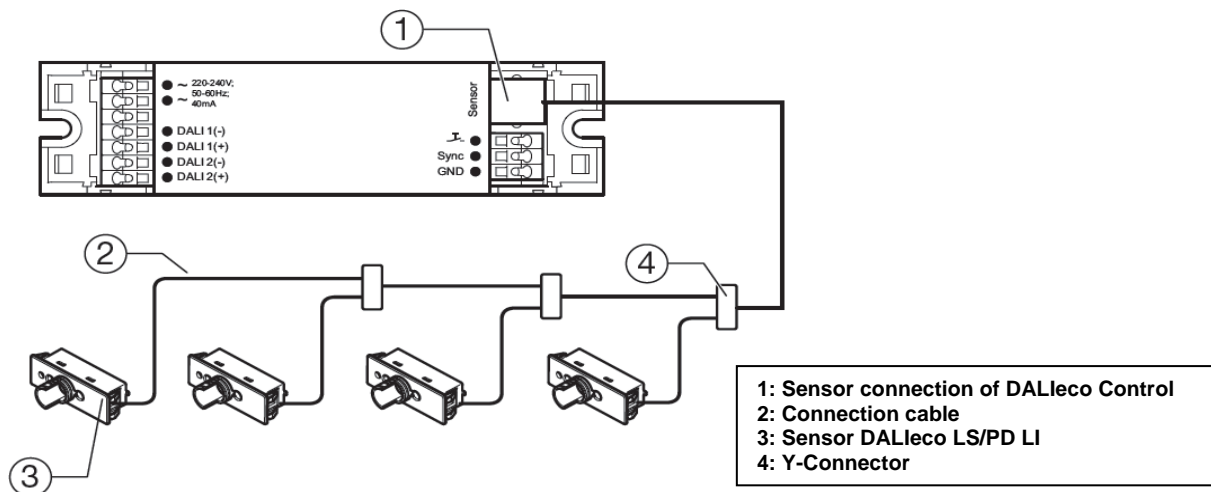


Design & Dimensions (Sensor/covers)



Wiring diagram



Technical data

Designation:	DALIeco LS/PD LI
Operating range light sensor:	20 ... 800 lux (directly at sensor)
Sensor connection:	4p4c, max. cable length in total: 25m (in total to all sensors)
Ambient temperature:	-20 °C ... + 50°C (in operation)
Type of protection/protection class:	IP 20 / II
Presence detection angle	40° ... 90° (adjustable via sensor shutter)
Installation height = 2,0m:	Detection area: ~Ø 1,5m ... 4,0m (adjustable via shutter)
Installation height = 3,0m:	Detection area: ~ Ø 2,0m ... 6,0m
Installation height 3,5m... 5,0m(max):	Max. detection area: ~Ø 7,0m
CE requirements:	EMV complies with EN 61547 Low voltage complies with EN 60928