

Light is OSRAM

WIDE TRACK System

Wide Track 25 mm height
FX-QMW-G1-TU26H25-300



Features & Benefits

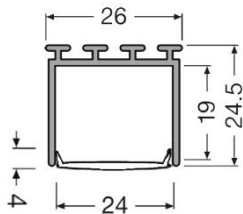
Ensure the adequate lighting to the spaces in a functional yet elegant way. Thanks to the dedicated accessories, this wide track is the best choice for surface or recessed mounting in suspended ceiling, for both decorative and general lighting.



Application

- Architectural Integration
- Recessed lighting
- Cove Lighting

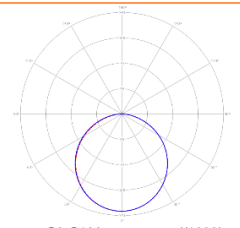
Dimension & Available Covers



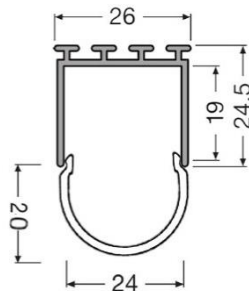
Wide Track + Wide cover flat frosted FX-QMW-G1-CFDB-300



Wide track + Wide cover flat frosted



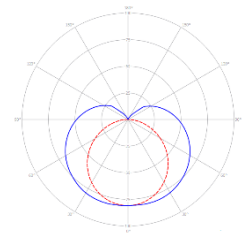
— C0-C180 cd/1000lm
— C90-C270
Wide cover flat frosted



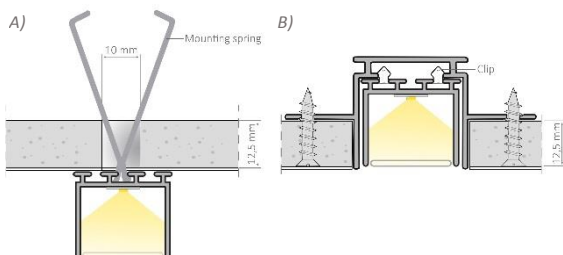
Wide Track + Wide cover round frosted matte FX-QMW-G1-CRD-300



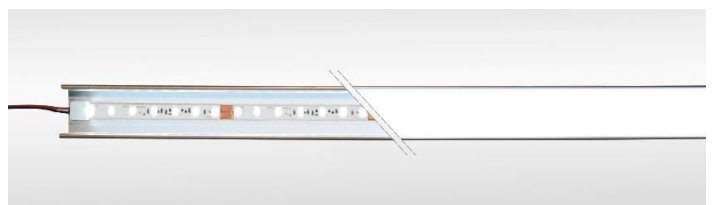
Wide track + Wide cover round frosted matte



— C0-C180 cd/1000lm
— C90-C270
Wide cover round frosted matte



Application example – Drywall [A] metal spring; B) mounting profile



Wide track and strip LF1200 with and without wide cover flat frosted

Electrical & Output data

TRACK & LED STRIP COMPATIBILITY ¹									
LED Strip WHITE			LF200	LF06A	LF800S	LF1200	LF2000	LF 3000	LF 4000
Color Temperature			Luminous Flux (lm/m) ²						
●	820	2000 K White	-	-	-	700	1155	1750	-
●	824	2400 K White	-	266	560	840	1400	2100	-
●	827	2700 K White	140	273	560	840	1400	2100	2625
●	830	3000 K White	140	273	560	840	1400	2100	2625
○	840	4000 K White	140	297	595	840	1400	2100	2695
●	850	5000 K White	-	297	595	840	1400	2100	2695
●	865	6500 K White	140	297	595	840	1400	2100	2695
●	CRI 90 927	2700 K White	-	-	-	770	1260	1890	-
●	CRI 90 930	3000 K White	-	-	-	840	1400	2100	-
○	CRI 90 940	4000 K White	-	-	-	840	1400	2100	-

LED Strip SPECIAL WHITE														
			LF1200 TW	LF1200 SW	LF1200 MWR	LF1200 MW	LF1200 VW	LF2000 TW	LF2000 SW	LF2000 MW	LF2000 MWR	LF2000 VW	LF3000 TW	LF3000 SW
Color Temperature			Luminous Flux (lm/m) ²											
●	830	3000 K White	-	840	-	-	805	-	1400	-	-	1400	-	2100
○	840	4000 K White	-	840	-	-	840	-	1400	-	-	1400	-	2100
●	852	5200 K White	-	-	-	840	-	-	-	1400	-	-	-	-
●	853	5300 K White	-	-	770	-	-	-	-	-	1015	-	-	-
●	TW	2700-6500 K Dynamic White	840	-	-	-	-	1400	-	-	-	-	2100	-

LED Strip COLOR				LF200M	LF200C	LF05A2	LF05CA2	LF700RGBW	LF71300RGBW
Color Temperature				Luminous Flux (lm/m) ²					
●	R	625	Red	98	-	84	-	-	-
●	G	525	Green	110	-	126	-	-	-
●	B	467	Blue	-	-	56	-	-	-
●	B	470	Blue	34	-	-	-	-	-
●	Y	587	Yellow	98	-	77	-	-	-
●	O	602	Orange	-	-	91	-	-	-
●	RGB	RGB	RGB	-	146	-	329	-	-
●	RGBW	RGBW	RGBW	-	-	-	-	488*	905*

*Both channels RGB and White on

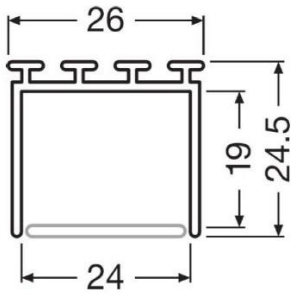
TRACK & LED STRIP IP67 COMPATIBILITY ¹									
LED Strip WHITE IP67			LF06E-P			LF06A-P			LFP800S
Color Temperature			Luminous Flux (lm/m) ²						
●	827	2700 K White	-	-	-	-	-	280	-
●	830	3000 K White	-	133	-	-	-	273	602
○	840	4000 K White	-	140	-	-	-	273	602
●	856	5600 K White	-	-	-	-	-	-	567
●	870	7000 K White	-	-	-	-	-	294	-
●	880	7600 K White	-	133	-	-	-	-	567

LED Strip COLOR IP67				LFP200M	LF05A-P	LFP200C	LF05CA-P
Color Temperature				Luminous Flux (lm/m) ²			
●	R	625	Red	98	-	-	-
●	G	522	Green	110	-	-	-
●	B	467	Blue	34	56	-	-
●	Y	587	Yellow	98	-	-	-
●	RGB	RGB	RGB	-	-	126	304

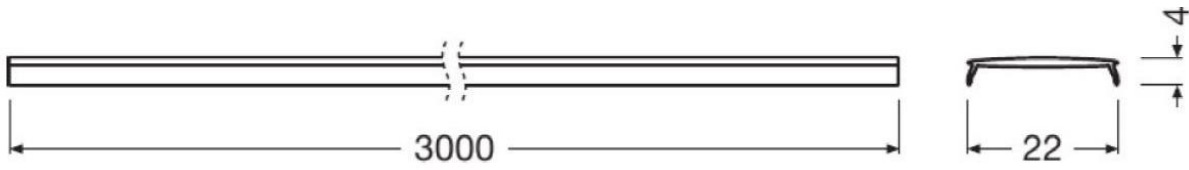
¹ Compatibility tested in surface condition including cover at T amb=25°C. Tc of the LED strip has to be always checked (Tc<Tc max) due to dependence on the specific installation conditions. For further information contact our support service at flex-support@osram.com

² Luminous flux comprehensive of the track's efficiency without cover (Light Output Ratio 70%).
!Note: -40% luminous flux with cover flat frosted and -35% with cover round frosted matte.

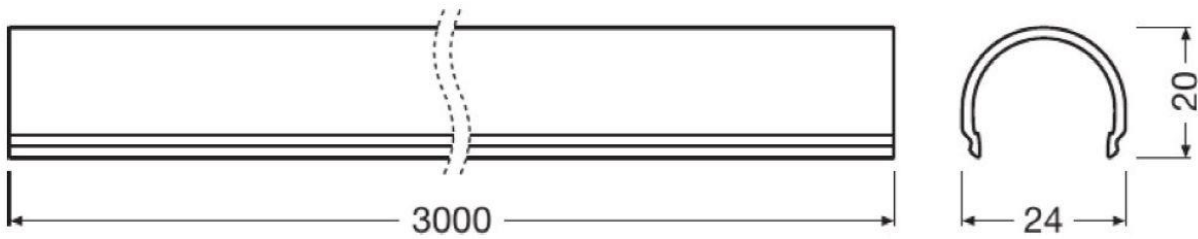
Technical drawings



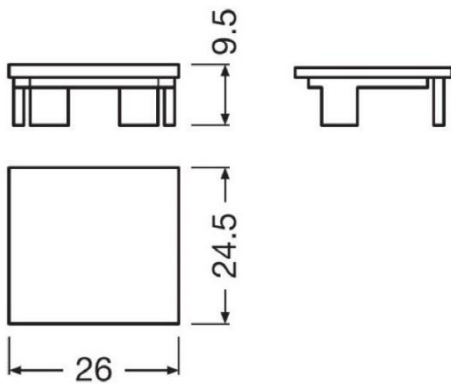
Wide Track
FX-QMW-G1-TU26H25-300
Order code 4052899448803



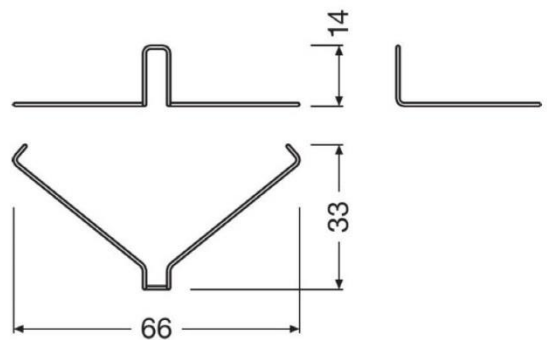
Wide cover flat frosted
FX-QMW-G1-CFDB-300
Order code 4052899447806



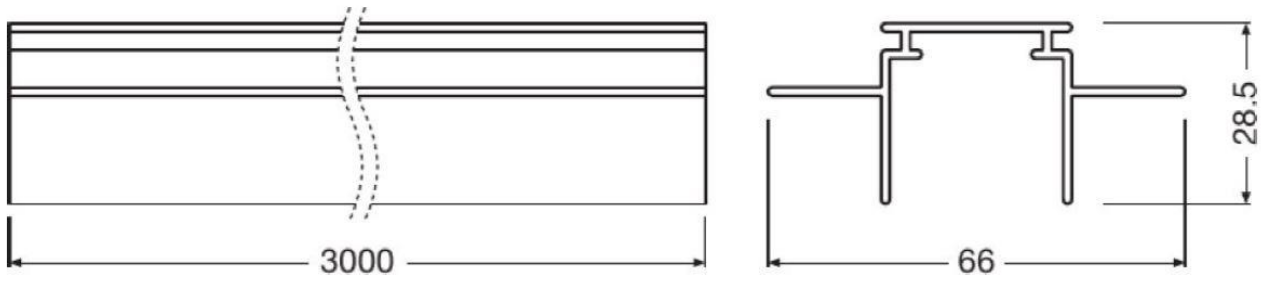
Wide cover round frosted matte
FX-QMW-G1-CRD-300
Order code 4052899447035



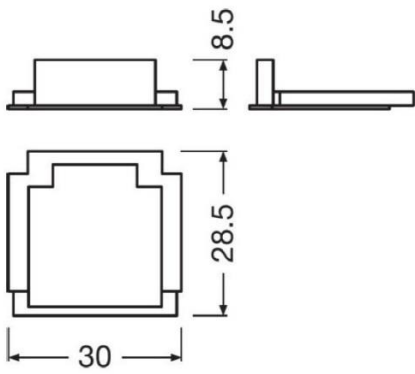
Plastic Flat end cap grey plain
FX-QMW-G1-EFGP-TU26H25
Order code 4052899450240



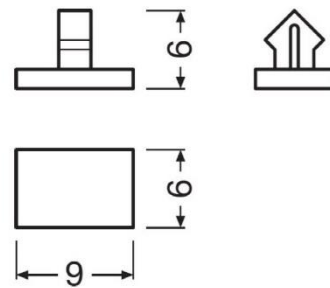
Mounting spring metal
FX-QMW-G1-SMME-DIV1
Order code 4052899446830



Mounting profile metal
FX-QMW-G1-P125C30-DIV1-300
Order code 4052899449060



Plastic End cap for mounting profile
FX-QMW-G1-EFGP-PC30
Order code 4052899450165



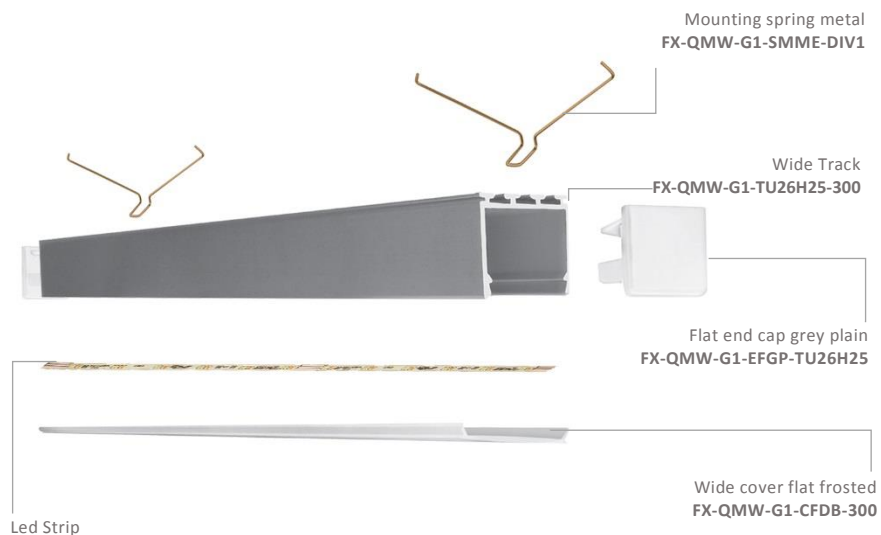
Plastic Clip for combining the track and the mounting profile
FX-QMW-G1-XCLPL1-DIV1
Order code 4052899446731

Track System Order Code

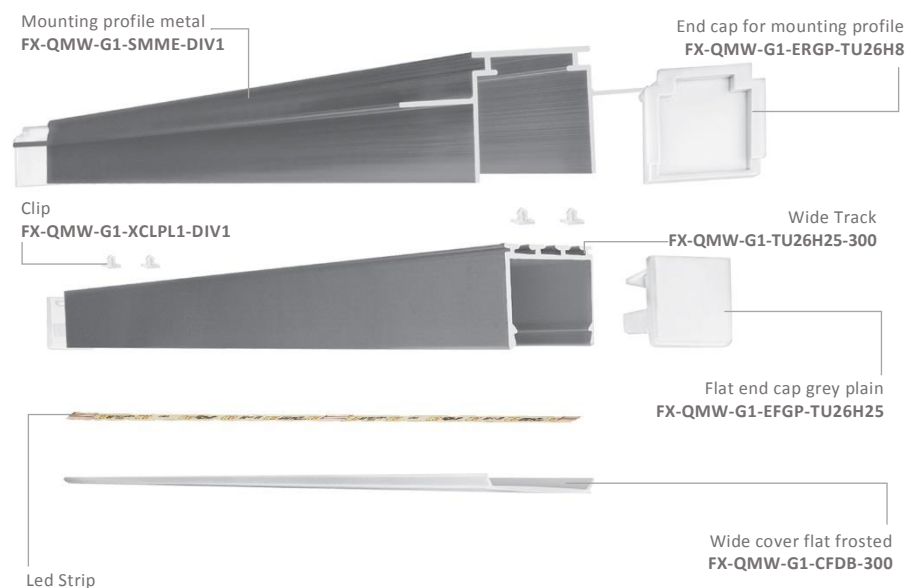
Product Code	Description	Product Number (EAN10)	Dimensions (length x width x height) mm	EAN Package content
FX-QMW-G1-TU26H25-300	Wide Track 25 mm height	4052899448803	3000 x 26.0 x 24.5	1x WideTrack
FX-QMW-G1-CFDB-300	Wide cover flat frosted	4052899447806	3000 x 11 x 4 mm	1x Cover
FX-QMW-G1-CRD-300	Wide cover round frosted matte	4052899447035	3000 x 24 x 20 mm	1x Cover
FX-QMW-G1-EFGP-TU26H25	Flat end cap grey plain	4052899450240	46 x 24.5 x 16.5 mm	40x End cap
FX-QMW-G1-SMME-DIV1	Mounting spring metal	4052899446830	66 x 33 x 14 mm	40x Mounting spring
FX-QMW-G1-P125C30-DIV1-300	Mounting profile metal	4052899449060	3000 x 66 x 28.5 mm	40x Mounting profile
FX-QMW-G1-EFGP-PC30	End cap for mounting profile	4052899450165	30 x 28.5 x 8.5 mm	40x End cap
FX-QMW-G1-XCLPL1-DIV1	Clip for combining track and mounting profile	4052899446731	9 x 6 x 6 mm	40x Clip

Complete System Example

1)



2)



For further information please write to flex-support@osram.com
or consult our Flex Configurator at <https://flex.osram.info/en/flex-configurator>

Disclaimer

Subject to change without notice. Errors and omission excepted. Always make sure to use the most recent release.

OSRAM GmbH

Head Office:

Marcel-Breuer-Strasse 6
80807 Munich, Germany
Phone +49 89 6213-0
Fax +49 89 6213-2020
www.osram.com

OSRAM