

Light is OSRAM

# SLIM TRACK System

## Slim Track LF-LTS-2100



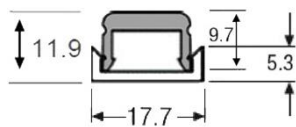
### Features & Benefits

Powerful lighting in compact size. With reduced dimensions, this slim yet powerful track is ideal for general illumination in confined spaces, such as coves. Suitable for light up furniture, cabinets and shelves and for integration in plasterboards, for both decorative and general lighting solutions.

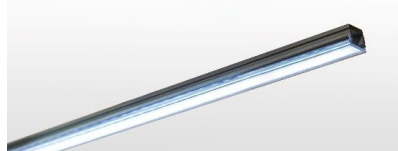
### Application

- Architectural Integration
- Cove lighting
- Shelves, Closets, Showcases, Cabinets Lighting
- Handrail and Stairs

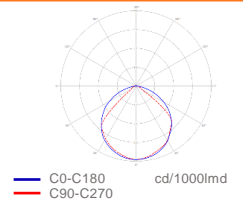
### Dimension & Available Covers



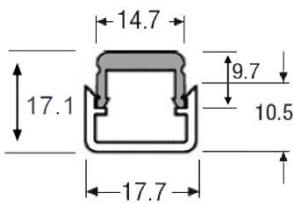
Slim Track + Clear cover LF-LTS-COVER-C



Slim track + Clear cover



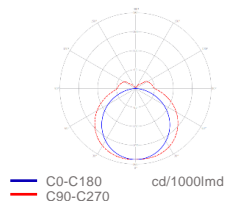
Clear cover



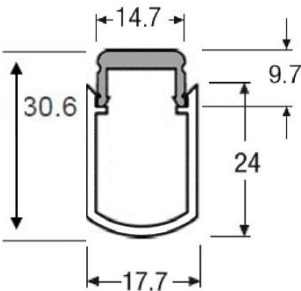
Slim Track + Diffuse cover LF-LTS-COVER-S (for LF800S)



Slim track + Diffuse cover (for LF800S)



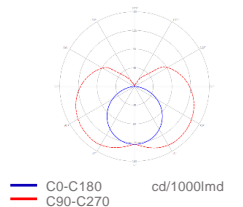
Diffuse cover LF-LTS-COVER-S



Slim Track + Diffuse cover LF-LTS-COVER-D



Slim track + Diffuse cover



Diffuse cover LF-LTS-COVER-D



Slim track and strip LF1200 with and without cover frosted matte

## Electrical & Output data

TRACK & LED STRIP COMPATIBILITY <sup>1</sup>						
LED Strip WHITE	LF200	LF06A	LF800S	LF1200	LF2000	
Color Temperature			Luminous Flux (lm/m) <sup>2</sup>			
820 2000 K White	-	-	-	850	1402	
824 2400 K White	-	323	680	1020	1700	
827 2700 K White	170	331	680	1020	1700	
830 3000 K White	170	331	680	1020	1700	
840 4000 K White	170	361	722	935	1700	
850 5000 K White	-	361	722	935	1700	
865 6500 K White	170	361	722	1020	1700	
CRI 90 927 2700 K White	-	-	-	935	1530	
CRI 90 930 3000 K White	-	-	-	1020	1700	
CRI 90 940 4000 K White	-	-	-	1020	1700	

LED Strip SPECIAL WHITE	LF1200 TW	LF1200 SW	LF1200 MWR	LF1200 MW	LF1200 VW	LF2000 TW	LF2000 SW	LF2000 VW
Color Temperature			Luminous Flux (lm/m) <sup>2</sup>					
830 3000 K White	-	1020	-	-	977	-	1700	1700
840 4000 K White	-	1020	-	-	1020	-	1700	1700
852 5200 K White	-	-	-	1020	-	-	-	-
853 5300 K White	-	-	935	-	-	-	-	-
TW 2700-6500 K Dynamic White	1020	-	-	-	-	1700	-	-

LED Strip COLOR	LF200M	LF200C	LF05A2	LF05CA2	LF700RGBW	LF71300RGBW
Color Temperature			Luminous Flux (lm/m) <sup>2</sup>			
R 625 Red	119	-	102	-	-	-
G 525 Green	133	-	153	-	-	-
B 467 Blue	-	-	68	-	-	-
B 470 Blue	41	-	-	-	-	-
Y 587 Yellow	119	-	93	-	-	-
O 602 Orange	-	-	110	-	-	-
RGB RGB RGB	-	178	-	399	-	-
RGBW RGBW RGBW	-	-	-	-	592*	1099*

\*Both channels RGB and White on

TRACK & LED STRIP IP67 COMPATIBILITY (combination possible only without cover) <sup>1</sup>						
LED Strip WHITE IP67	LF06E-P	LF06A-P	LF800S			
Color Temperature			Luminous Flux (lm/m) <sup>2</sup>			
827 2700 K White	-	-	260	-	-	
830 3000 K White	161	-	253	-	731	
840 4000 K White	170	-	253	-	731	
856 5600 K White	-	-	-	-	688	
870 7000 K White	-	-	273	-	-	
880 7600 K White	161	-	-	-	688	

LED Strip COLOR IP67	LFP200M	LF05A-P	LFP200C	LF05CA-P	
Color Temperature			Luminous Flux (lm/m) <sup>2</sup>		
R 625 Red	119	-	-	-	
G 522 Green	133	-	-	-	
B 467 Blue	41	68	-	-	
Y 587 Yellow	119	-	-	-	
RGB RGB RGB	-	-	153	370	

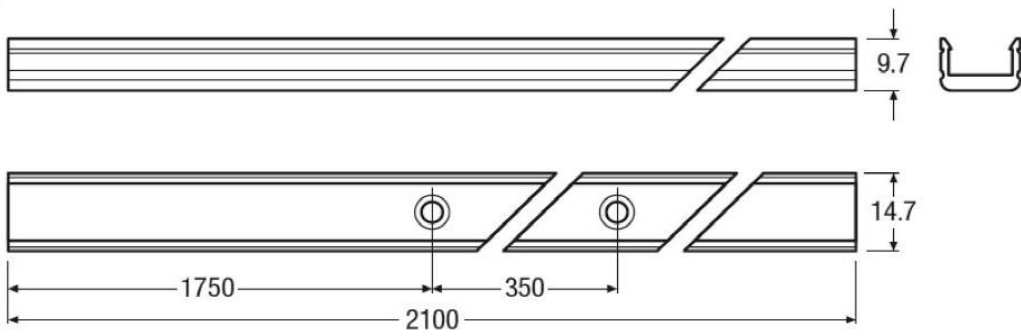
<sup>1</sup> Compatibility tested in surface condition including cover at T amb=25°C. Tc of the LED strip has to be always checked (Tc<Tc max) due to dependence on the specific installation conditions.

For further information contact our support service at [flex-support@osram.com](mailto:flex-support@osram.com)

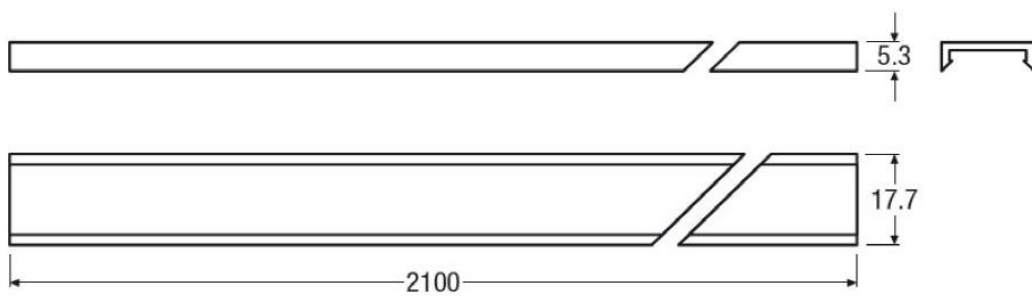
<sup>2</sup> Luminous flux comprehensive of the track's efficiency without cover (Light Output Ratio 85%).

**INote:** -10% luminous flux with clear cover, -45% with diffuse cover shortpitch and -38% with diffusive cover.

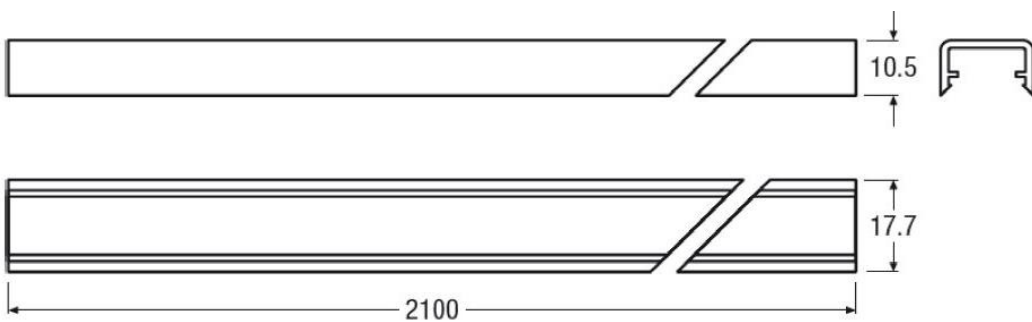
## Technical drawings



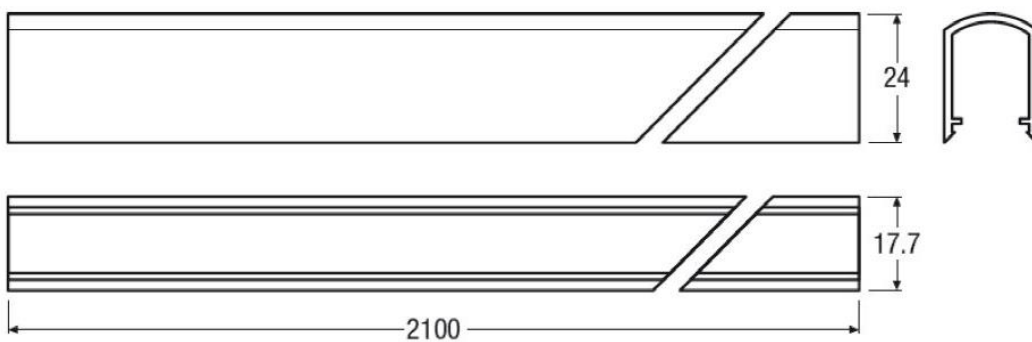
Slim Track LF-LTS-2100  
Order code 4008321978981



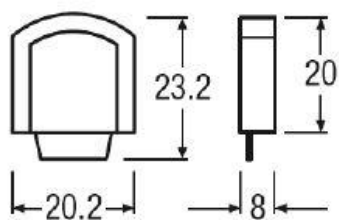
Clean Cover LF-LTS-COVER-C  
Order code 4008321790187



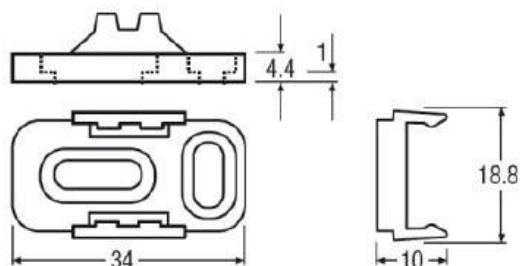
Diffuse Cover LF-LTS-COVER-S (for LF800S)  
Order code 4008321790200



Diffuse Cover LF-LTS-COVER-D  
Order code 4008321979001



Silicon Endcap for LF-LTS-COVER-D  
LF-LTS-ENDCAP  
Order code 4008321979049

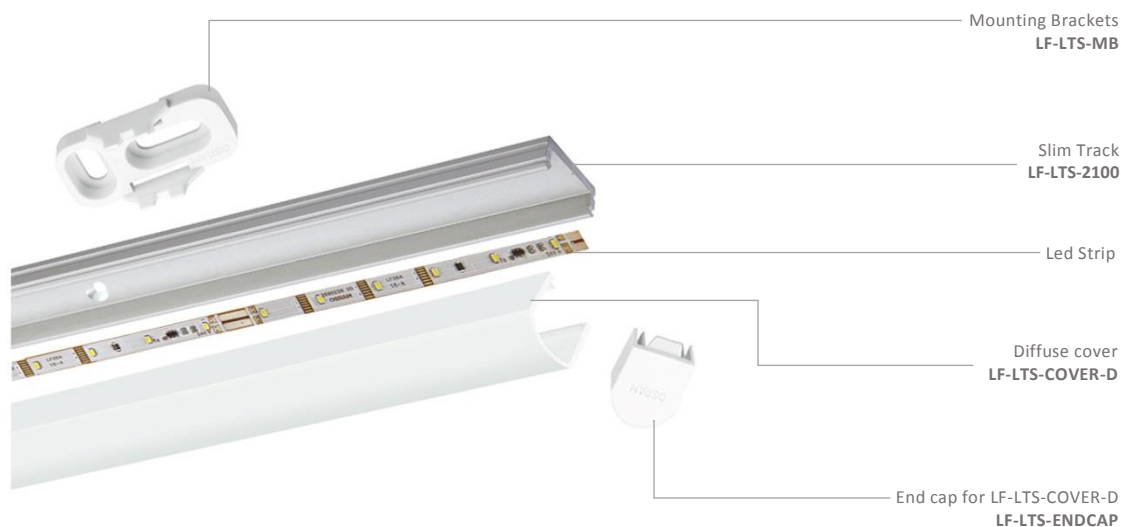


Plastic Mounting bracket for Slim Track  
LF-LTS-MB  
Order code 4008321979025

### Track System Order Code

Product Code	Description	Product Number (EAN10)	Dimensions (length x width x height)	EAN Package content
LF-LTS-2100	Slim Track	4008321978981	2100 x 14.6 x 9.2 mm	40x Slim Track
LF-LTS-COVER-C	Clear Cover	4008321790187	2100 x 17.7 x 5.3 mm	40x Cover
LF-LTS-COVER-S	Diffuse Cover Shortpitch	4008321790200	2100 x 17.7 x 10.5 mm	40x Cover
LF-LTS-COVER-D	Diffuse Cover	4008321979001	2100 x 17.7 x 24 mm	40x Cover
LF-LTS-ENDCAP	Endcap for LF-LTS-COVER-D	4008321979049	20 x 20 x 8 mm	35x Endcap
LF-LTS-MB	Mounting bracket	4008321979025	35 x 16 x 4.4 mm	20x Mounting bracket

### Complete System Example



For further information please write to [flex-support@osram.com](mailto:flex-support@osram.com) or consult our Flex Configurator at <https://flex.osram.info/en/flex-configurator>

### Disclaimer

Subject to change without notice. Errors and omission excepted. Always make sure to use the most recent release.

OSRAM GmbH

Head Office:

Marcel-Breuer-Strasse 6  
80807 Munich, Germany  
Phone +49 89 6213-0  
Fax +49 89 6213-2020  
[www.osram.com](http://www.osram.com)

**OSRAM**