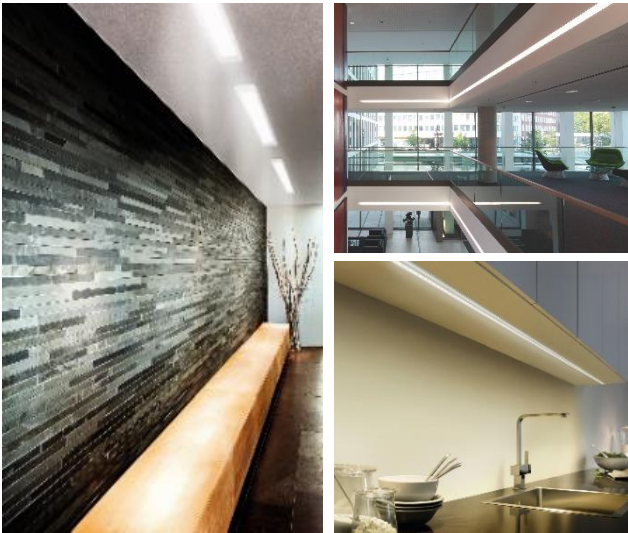


Light is OSRAM

# WIDE TRACK System

Wide Track 10 mm wings, 25 mm height  
FX-QMW-G1-TU26H25W10-300



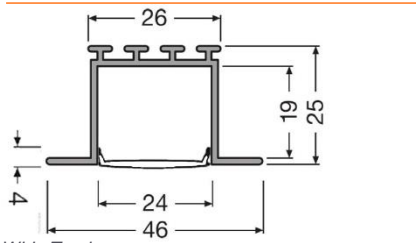
### Features & Benefits

Create amazing light cuts on the surfaces.  
Ensure the adequate lighting to the spaces in a functional yet elegant way thanks to this wide track and its accessories for the recessed mounting, suitable for both decorative and general lighting.

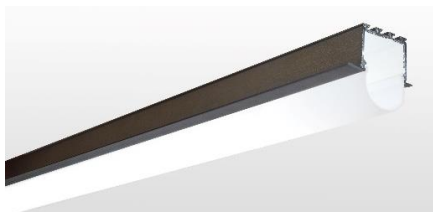
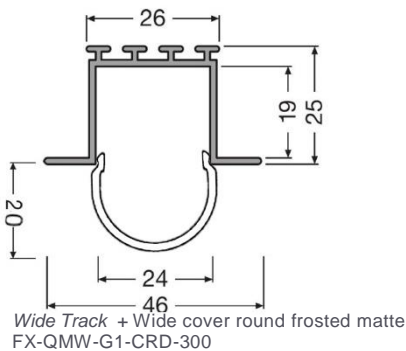
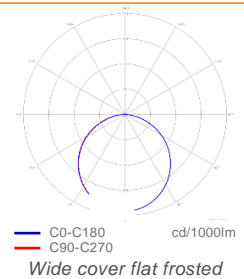
### Application

- Architectural Integration
- Recessed lighting

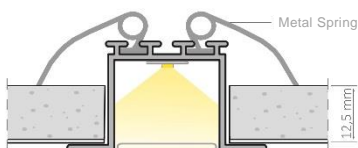
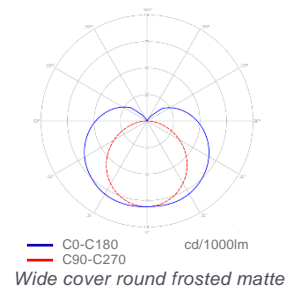
### Dimension & Available Covers



Wide track + Wide cover flat frosted



Wide track + Wide cover round frosted matte



Application example – Drywall



Wide track and strip LF1200 with and without wide cover flat frosted

## Electrical & Output data

TRACK & LED STRIP COMPATIBILITY <sup>1</sup>									
LED Strip WHITE	LF200	LF06A	LF800S	LF1200	LF2000	LF 3000	LF 4000		
Color Temperature			Luminous Flux (lm/m) <sup>2</sup>						
820 2000 K White	-	-	-	700	1155	1750	-		
824 2400 K White	-	266	560	840	1400	2100	-		
827 2700 K White	140	273	560	840	1400	2100	2625		
830 3000 K White	140	273	560	840	1400	2100	2625		
840 4000 K White	140	297	595	840	1400	2100	2695		
850 5000 K White	-	297	595	840	1400	2100	2695		
865 6500 K White	140	297	595	840	1400	2100	2695		
CRI 90 927 2700 K White	-	-	-	770	1260	1890	-		
CRI 90 930 3000 K White	-	-	-	840	1400	2100	-		
CRI 90 940 4000 K White	-	-	-	840	1400	2100	-		

LED Strip SPECIAL WHITE	LF1200 TW	LF1200 SW	LF1200 MWR	LF1200 MW	LF1200 VW	LF2000 TW	LF2000 SW	LF2000 MW	LF2000 MWR	LF2000 VW	LF3000 TW	LF3000 SW
Color Temperature			Luminous Flux (lm/m) <sup>2</sup>									
830 3000 K White	-	840	-	-	805	-	1400	-	-	1400	-	2100
840 4000 K White	-	840	-	-	840	-	1400	-	-	1400	-	2100
852 5200 K White	-	-	-	840	-	-	-	1400	-	-	-	-
853 5300 K White	-	-	770	-	-	-	-	-	1015	-	-	-
TW 2700-6500 K Dynamic White	840	-	-	-	-	1400	-	-	-	-	2100	-

LED Strip COLOR	LF200M	LF200C	LF05A2	LF05CA2	LF700RGBW	LF71300RGBW
Color Temperature			Luminous Flux (lm/m) <sup>2</sup>			
R 625 Red	98	-	84	-	-	-
G 525 Green	110	-	126	-	-	-
B 467 Blue	-	-	56	-	-	-
B 470 Blue	34	-	-	-	-	-
Y 587 Yellow	98	-	77	-	-	-
O 602 Orange	-	-	91	-	-	-
RGB RGB RGB	-	146	-	329	-	-
RGBW RGBW RGBW	-	-	-	-	488*	905*

\*Both channels RGB and White on

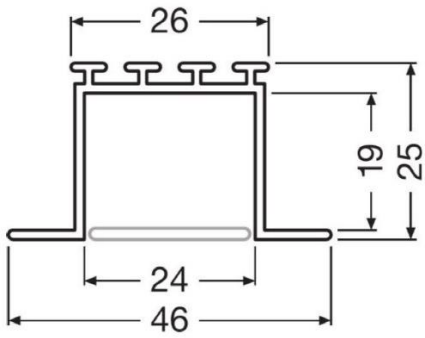
TRACK & LED STRIP IP67 COMPATIBILITY <sup>1</sup>									
LED Strip WHITE IP67	LF06E-P			LF06A-P			LFP800S		
Color Temperature				Luminous Flux (lm/m) <sup>2</sup>					
827 2700 K White	-			280			-		
830 3000 K White	133			273			602		
840 4000 K White	140			273			602		
856 5600 K White	-			-			567		
870 7000 K White	-			294			-		
880 7600 K White	133			-			567		

LED Strip COLOR IP67	LFP200M			LF05A-P			LFP200C			LF05CA-P		
Color Temperature				Luminous Flux (lm/m) <sup>2</sup>								
R 625 Red	98			-			-			-		
G 522 Green	110			-			-			-		
B 467 Blue	34			56			-			-		
Y 587 Yellow	98			-			-			-		
RGB RGB RGB	-			-			126			304		

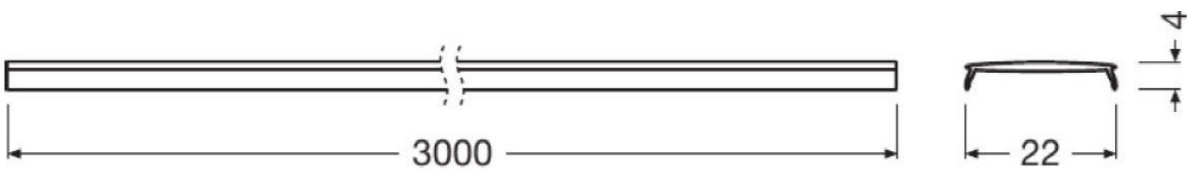
<sup>1</sup> Compatibility tested in surface condition including cover at T amb=25°C. Tc of the LED strip has to be always checked (Tc<Tc max) due to dependence on the specific installation conditions. For further information contact our support service at [flex-support@osram.com](mailto:flex-support@osram.com)

<sup>2</sup> Luminous flux comprehensive of the track's efficiency without cover (Light Output Ratio 70%).  
 !Note: -40% luminous flux with cover flat frosted and -35% with cover round frosted matte.

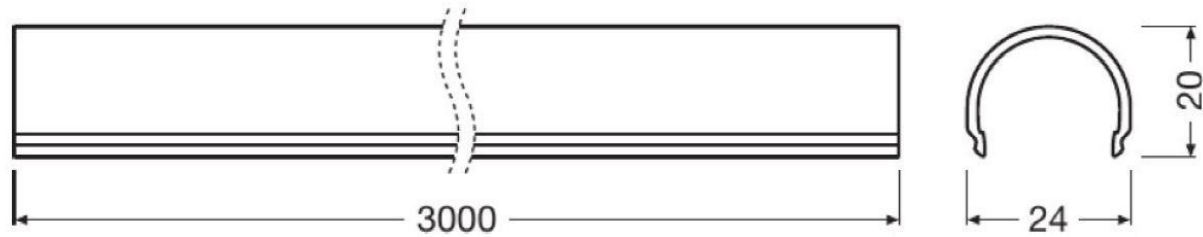
## Technical drawings



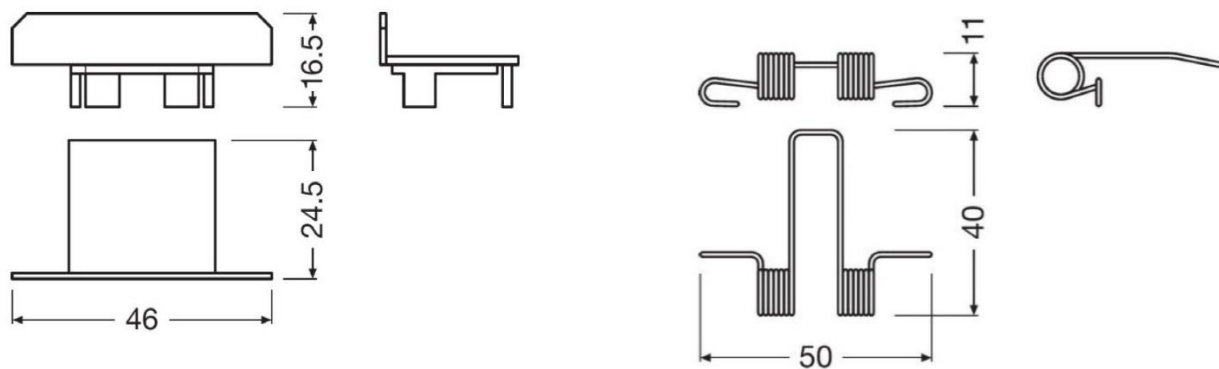
Wide Track  
FX-QMW-G1-TU26H25W10-300  
Order code 4052899448773



Wide cover flat frosted  
FX-QMW-G1-CFDB-300  
Order code 4052899447806



Wide cover round frosted matte  
FX-QMW-G1-CRD-300  
Order code 4052899447035



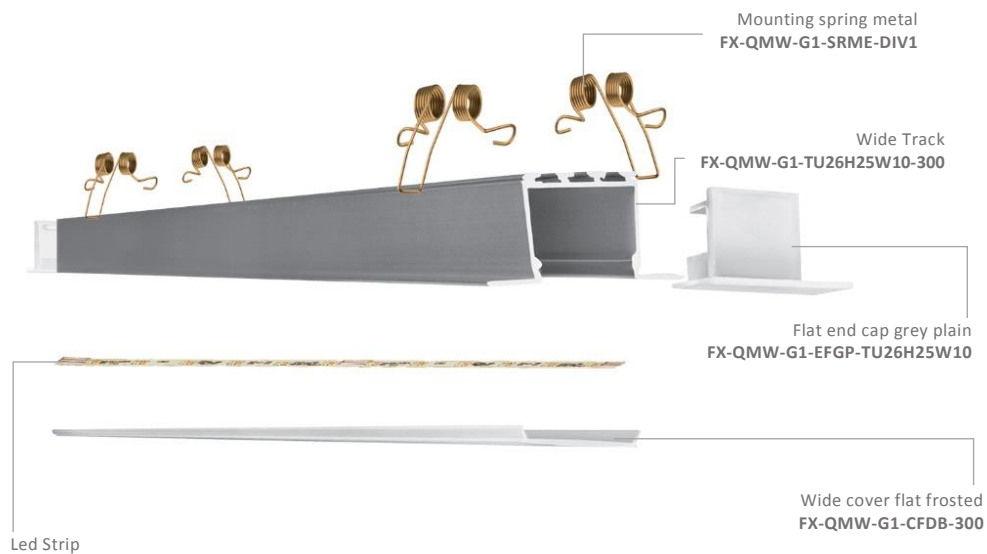
Plastic Flat end cap grey plain  
FX-QMW-G1-EFGP-TU26H25W10  
Order code 4052899450134

Mounting spring metal  
FX-QMW-G1-SRME-DIV1  
Order code 4052899446786

## Track System Order Code

Product Code	Description	Product Number (EAN10)	Dimensions (length x width x height)	EAN Package content
<b>FX-QMW-G1-TU26H25W10-300</b>	Wide Track	4052899448773	3000 x 45.6 x 26.7 mm	1x WideTrack
<b>FX-QMW-G1-CFDB-300</b>	Wide cover flat frosted	4052899447806	3000 x 11 x 4 mm	1x Cover
<b>FX-QMW-G1-CRD-300</b>	Wide cover round frosted matte	4052899447035	3000 x 24 x 20 mm	1x Cover
<b>FX-QMW-G1-EFGP-TU26H25W10</b>	Flat end cap grey plain	4052899450134	46 x 24.5 x 16.5 mm	40x End cap
<b>FX-QMW-G1-SRME-DIV1</b>	Mounting spring metal	4052899446786	50 x 40 x 11 mm	40x Mounting spring

## Complete System Example



For further information please write to [flex-support@osram.com](mailto:flex-support@osram.com) or consult our Flex Configurator at <https://flex.osram.info/en/flex-configurator>

## Disclaimer

Subject to change without notice. Errors and omission excepted. Always make sure to use the most recent release.

OSRAM GmbH

Head Office:

Marcel-Breuer-Strasse 6  
 80807 Munich, Germany  
 Phone +49 89 6213-0  
 Fax +49 89 6213-2020  
[www.osram.com](http://www.osram.com)

**OSRAM**