

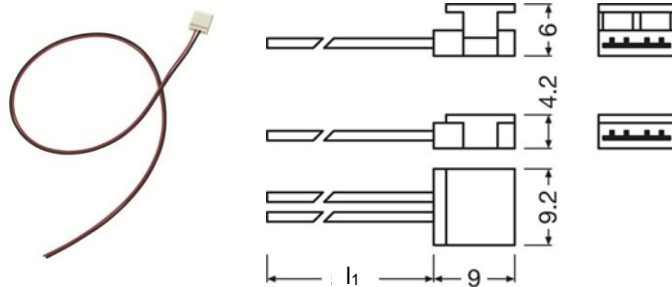
# SLIMCONNECTsystem FLEX TECHNICAL DATASHEET



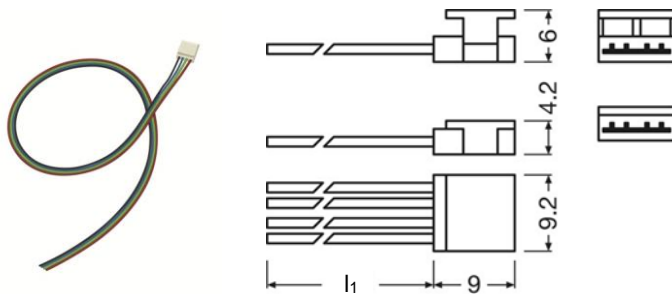
## BENEFITS

- Assembly without tools
- Robust connection
- Fits into SLIM TRACK
- Keep LED pitch at board to board connection
- Extension wires for connection across corners

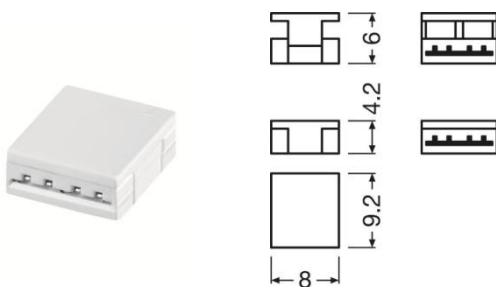
## Connectors



Product	LF-2PIN Flex SC	LF-2PIN 1M Flex SC
Order Code	4008321832436	4052899087743
Cable length l <sub>1</sub> [mm]	500	1000
Rated insulation voltage	25 V	
Rated current	5 A	
Connector closing force	45 N	
LED PCB retention force	≥ 15 N	
Volume resistance	≤ 30 mΩ	
Conductor cross section AWG	22	
Ambient temperature (storage/transport)	-40 – 85 °C	
Ambient temperature (operation) LLT - ULT	-30 - 70 °C	



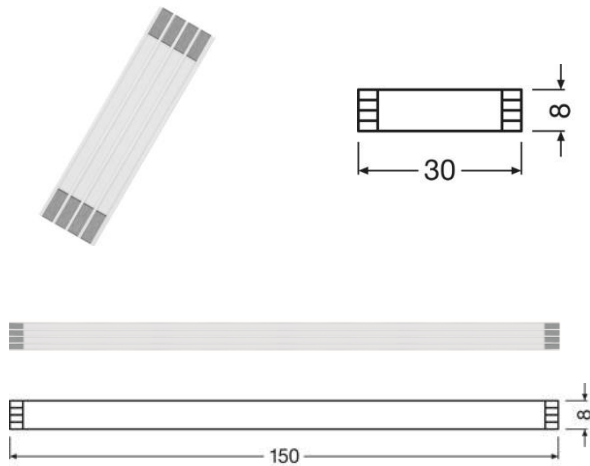
Product	LF-4PIN Flex SC	LF-4PIN 1M Flex SC
Order Code	4052899904835	4052899087767
Cable length l <sub>1</sub> [mm]	500	1000
Rated insulation voltage	25 V	
Rated current	5 A	
Connector closing force	45 N	
LED PCB retention force	≥ 15 N	
Volume resistance	≤ 30 mΩ	
Conductor cross section AWG	22	
Ambient temperature (storage/transport)	-40 – 85 °C	
Ambient temperature (operation) LLT - ULT	-30 - 70 °C	



Product	LF-CONN Flex SC
Order Code	4008321832467
Rated insulation voltage	25 V
Rated current	5 A
Connector closing force	75 N
LED PCB retention force	≥ 15 N
Volume resistance	≤ 30 mΩ
Ambient temperature (storage/transport)	-40 – 85 °C
Ambient temperature (operation) LLT - ULT	-30 - 70 °C

Due to the special conditions of manufacturing processes of LED, the typical data of technical parameters can only reflect statistical figures and do not necessarily correspond to the actual parameters of each single product which could differ from the typical data. Subject to change without notice. Errors and omissions excepted. Version: 2014-12-16

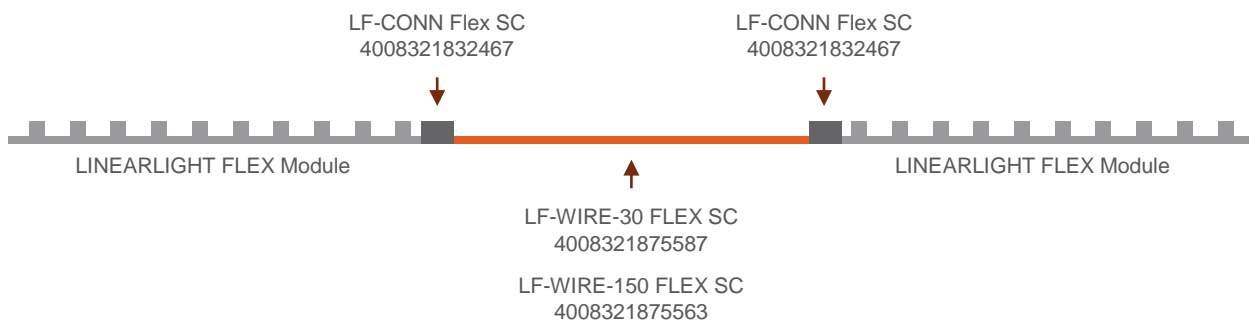
## Extension Wires



<b>Product</b>	LF-WIRE-30 FLEX SC
<b>Order Code</b>	4008321875587

<b>Product</b>	LF-WIRE-150 FLEX SC
<b>Order Code</b>	4008321875563

## How to apply the extension wires



## Logistical Information

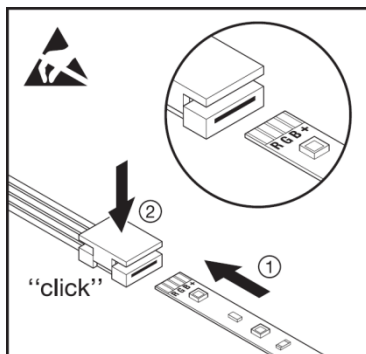
Product	Order Number	Shipping Units
LF-2PIN Flex SC	4008321832436	10
LF-2PIN 1M Flex SC	4052899087743	10
LF-4PIN Flex SC	4052899904835	10
LF-4PIN 1M Flex SC	4052899087767	10
LF-CONN Flex SC	4008321832467	25
LF-WIRE-30 FLEX SC	4008321875587	100
LF-WIRE-150 FLEX SC	4008321875563	50

Due to the special conditions of manufacturing processes of LED, the typical data of technical parameters can only reflect statistical figures and do not necessarily correspond to the actual parameters of each single product which could differ from the typical data. Subject to change without notice. Errors and omissions excepted. **Version: 2014-12-16**

## Safety information

- All components of the SLIMCONNECTsystem FLEX must be assembled to avoid any stress on the wires and/or board connectors. The installer must ensure that there is adequate strain relief between the board connection and the wiring.
- Installation of LED modules (with power supplies) needs to be made with regard to all applicable electrical and safety standards. Only qualified personnel should be allowed to perform installations.
- The connector has no inverse polarity protection. There will be no electrical function if connector is not well positioned or if polarity is inverse. Several modules can be damaged (see the respective module data sheet).
- The maximum operation current may not be exceeded.
- The SLIMCONNECTsystem FLEX is designed for indoor applications only. Any unprotected outdoor use is not allowed.
- A suitable enclosure IP67 is required if the system is to be exposed to humidity and /or dust. Condensation water in the IP67 enclosure is not allowed.

## Assembly Information



- For electrical connection of the LINEARlight FLEX, both, module and connector must be positioned with the correct side up as shown in the graphic.
- Pay attention to the correct polarity between feeder and module:

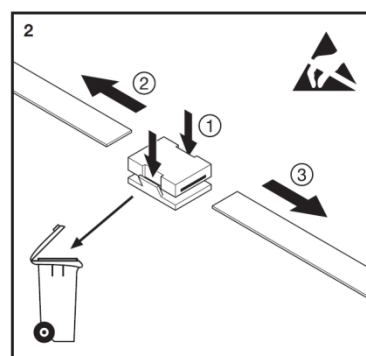
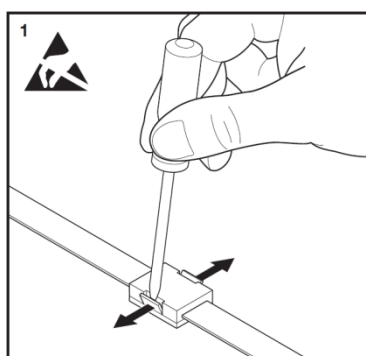
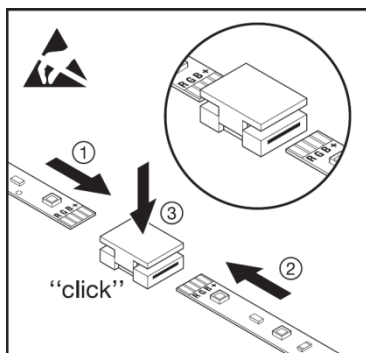
- **LF-2PIN Flex SC / LF-2PIN 1M Flex SC**  
Black wire = “-” pole / red wire = “+” pole

- **LF-4PIN Flex SC / LF-4PIN 1M Flex SC**  
Black wire = “+” pole / Blue Wire = “B”-pad / Green Wire = “G”-pad / Red Wire = “R”-pad

- **LF-CONN Flex SC**

Particular attention is required when using the connector for board to board connection: The '+' pole of the first module has to be connected to the '+' pole of the second module. In case of wrong polarity no light will be emitted and the modules can be damaged

- Then push the module into the connector and press on the connector to fix the connection. Make sure to work on a flat and robust surface.



- In order to maintain adequate electrical contact, the connectors are designed for single use. However, to reuse the connected PCB, a removal is possible but will result in the destruction of the connector.

Due to the special conditions of manufacturing processes of LED, the typical data of technical parameters can only reflect statistical figures and do not necessarily correspond to the actual parameters of each single product which could differ from the typical data. Subject to change without notice. Errors and omissions excepted. **Version: 2014-12-16**

## Matching LINEARLIGHT FLEX modules

Family	Product Name	EAN	Color	K	LF-2PIN Flex SC 4008321832436	LF-2PIN 1M Flex SC 4052899087743	LF-4PIN Flex SC 405289904835	LF-4PIN 1M Flex SC 4052899087767	LF-CONN Flex SC 4008321832467	LF-WIRE-30 FLEX SC 4008321875587	LF-WIRE-150 FLEX SC 4008321875563
LINEARlight POWER Flex	LF06P2-W5F-827	4008321971272	white	2700	x				x	x	x
	LF06P2-W5F-830	4008321971296	white	3000	x				x	x	x
	LF06P2-W5F-840	4008321971319	white	4000	x				x	x	x
	LF06P2-W5F-850	4008321971791	white	5000	x				x	x	x
	LF06P2-W5F-865	4008321971333	white	6500	x				x	x	x
LINEARlight Flex® ShortPitch	LF06S-W3F-827	4008321973887	white	2700	x				x	x	x
	LF06S-W3F-830	4008321973894	white	3000	x				x	x	x
	LF06S-W3F-840	4008321973900	white	4000	x				x	x	x
	LF06S-W3F-850	4008321973917	white	5000	x				x	x	x
	LF06S-W3F-865	4008321973924	white	6500	x				x	x	x
LINEARlight Flex® ADVANCED	LF06A-W3F-827	4008321973986	white	2700	x				x	x	x
	LF06A-W3F-830	4008321973993	white	3000	x				x	x	x
	LF06A-W3F-840	4008321974006	white	4000	x				x	x	x
	LF06A-W3F-850	4008321974013	white	5000	x				x	x	x
	LF06A-W3F-865	4008321974020	white	6500	x				x	x	x
LINEARlight Flex® ADVANCED (Monochromatic)	LF05A2-B3	4052899924123	blue	-	x				x	x	x
	LF05A2-T3	4052899924116	green	-	x				x	x	x
	LF05A2-R3	4052899924086	red	-	x				x	x	x
	LF05A2-Y3	4052899924109	yellow	-	x				x	x	x
	LF05A2-O3	4052899924093	orange	-	x				x	x	x
LINEARlight Flex® ECO	LF05E2-W2F-827	4008321971357	white	2700	x				x	x	x
	LF05E2-W2F-730	4008321971371	white	3000	x				x	x	x
	LF05E2-W2F-740	4008321971395	white	4000	x				x	x	x
	LF05E2-W2F-865	4008321971418	white	6500	x				x	x	x
	LF05E-B2	4008321955425	blue	-	x				x	x	x
	LF05E-R1	4008321955418	red	-	x				x	x	x
	LF05E-T2	4008321955449	green	-	x				x	x	x
	LF05E-Y1	4008321955432	yellow	-	x				x	x	x
LINEARlight Colormix Flex	LF05CA2-RGB3	4008321851536	RGB	-			x		x	x	x

## Contacts & Information

### OSRAM GmbH

Marcel-Breuer-Straße 6, 80807 Munich, Germany  
www.osram.com  
+49.89.6213-0

Sales and technical support is given by the local OSRAM subsidiaries.  
On the OSRAM website all subsidiaries are listed with complete address and phone numbers.

OSRAM LED Systems  
OSRAM catalogue  
General information

[www.osram.com/led-systems](http://www.osram.com/led-systems)  
<http://catalog.osram.com>  
[www.osram.com](http://www.osram.com)

Due to the special conditions of manufacturing processes of LED, the typical data of technical parameters can only reflect statistical figures and do not necessarily correspond to the actual parameters of each single product which could differ from the typical data.  
Subject to change without notice. Errors and omissions excepted. **Version: 2014-12-16**