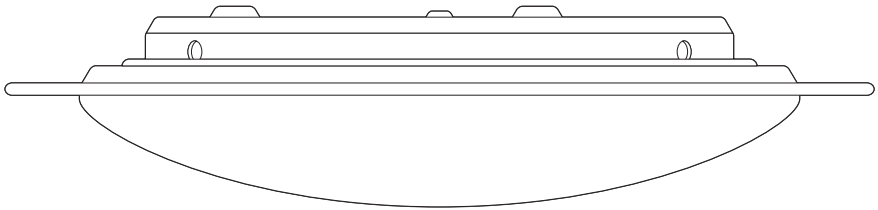
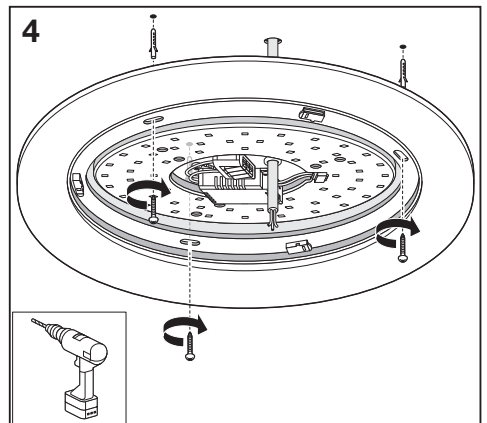
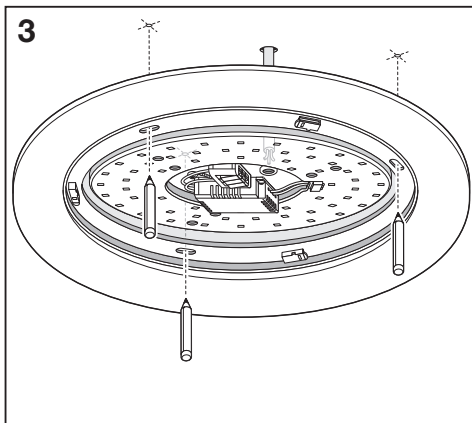
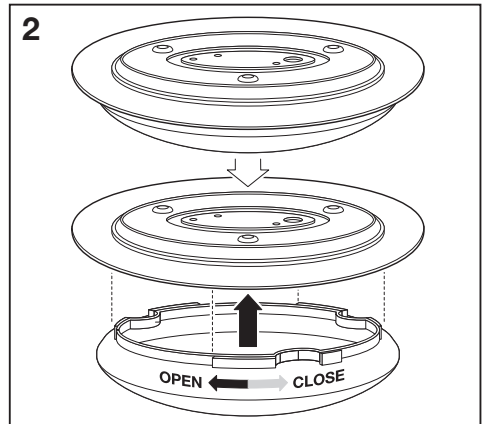
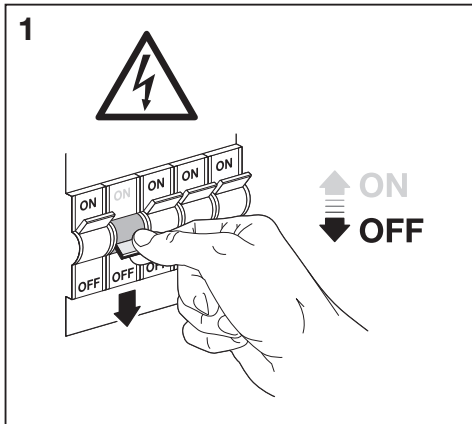
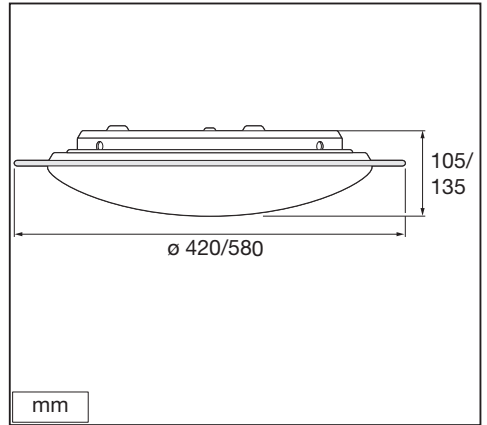
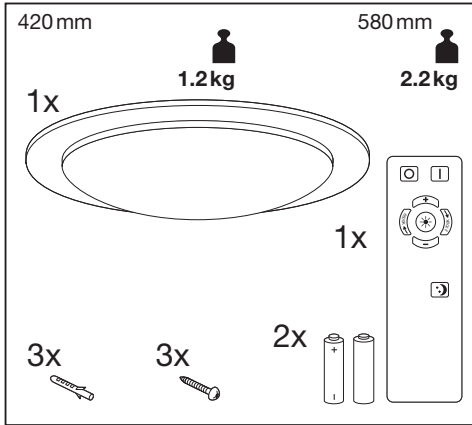
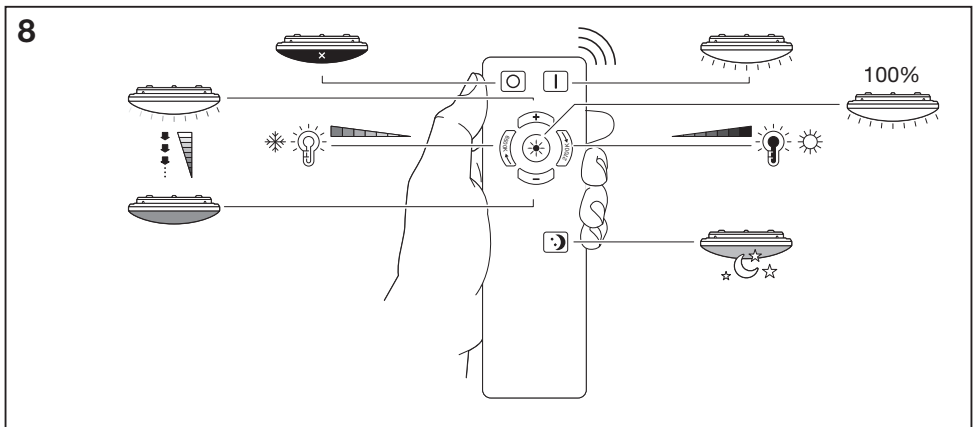
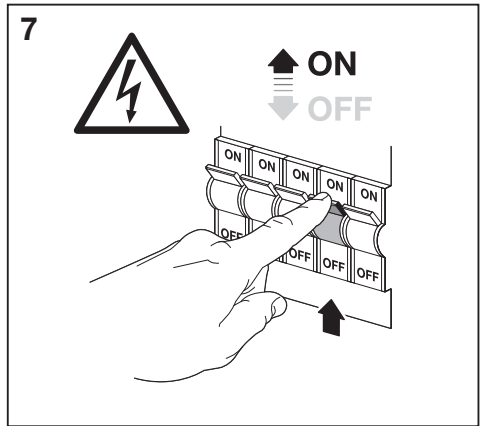
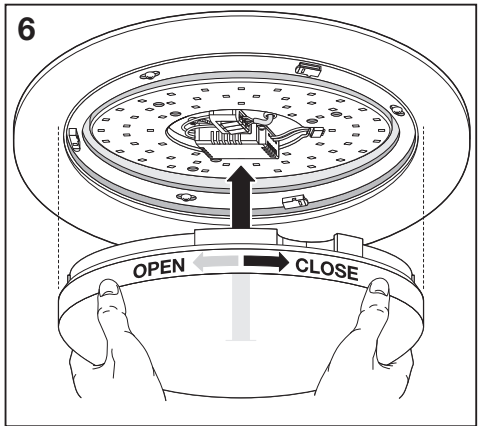
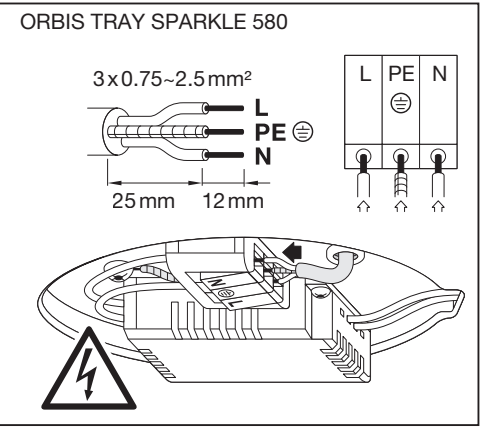
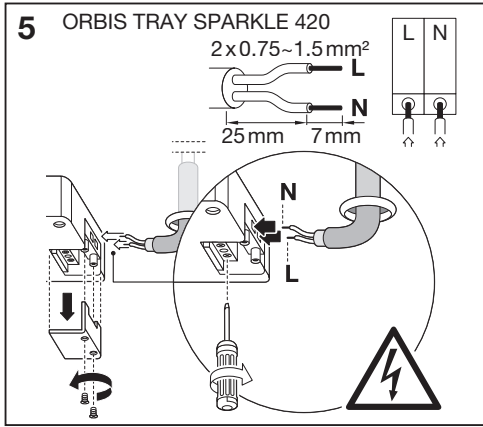

ORBIS TRAY SPARKLE



	EAN	W	lm	K	θ_{beam} (°C)	V~	mA	Hz	PF
ORBIS TRAY SPARKLE 420	4058075266032	24	1350	2700-6500	-20...+40	220-240	200	50/60	>0.5
ORBIS TRAY SPARKLE 580	4058075227545	35	2000	2700-6500	-20...+40	220-240	160	50/60	>0.9

ORBIS TRAY SPARKLE





ORBIS TRAY
SPARKLE

580



ORBIS TRAY
SPARKLE

420



RoHS



C10449057
G11064186
18.03.2019



LEDVANCE GmbH
Steinerne Furt 62
86167 Augsburg, Germany
www.ledvance.com