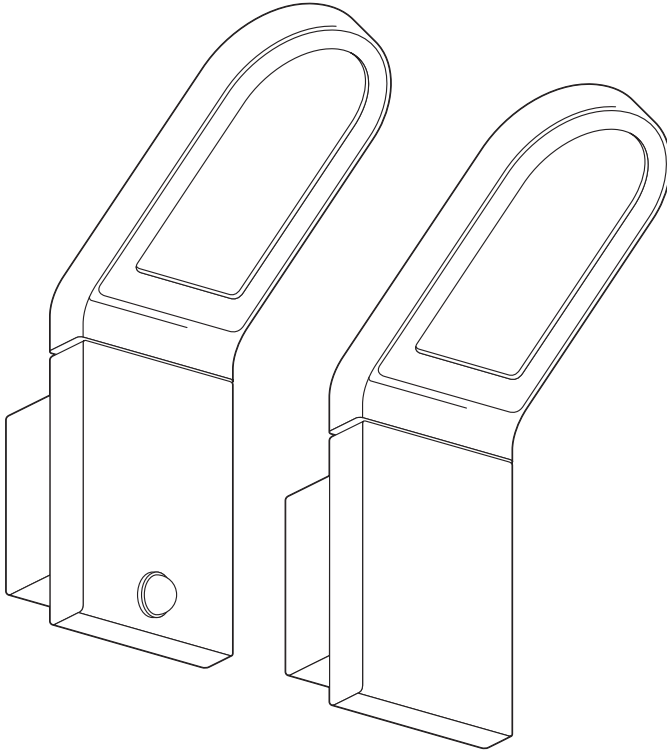
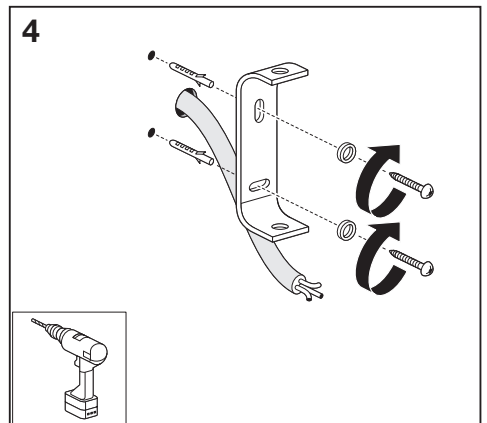
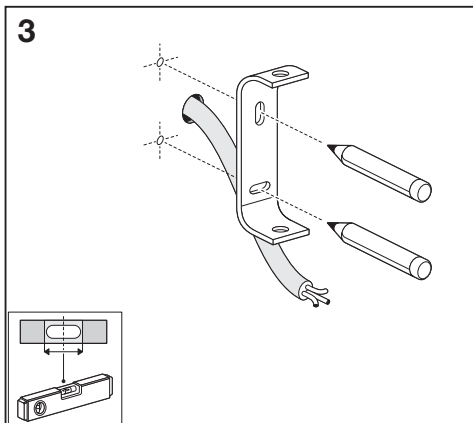
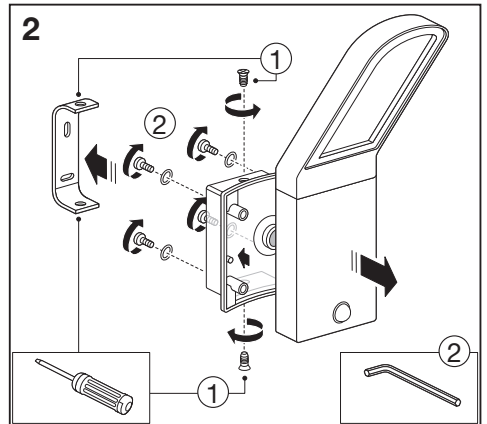
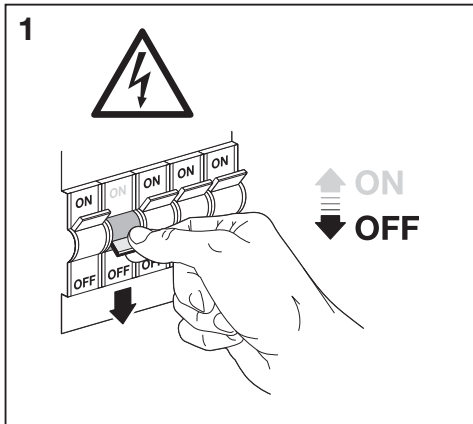
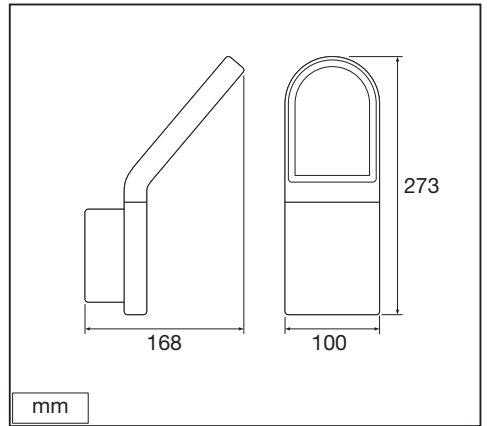
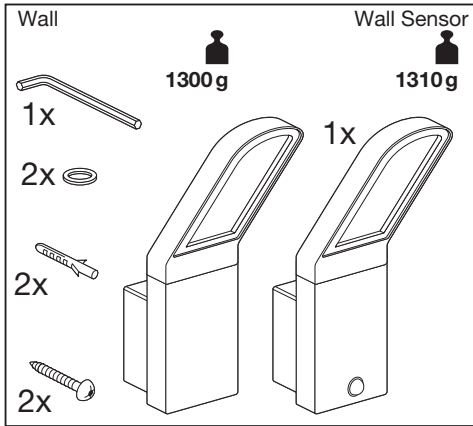
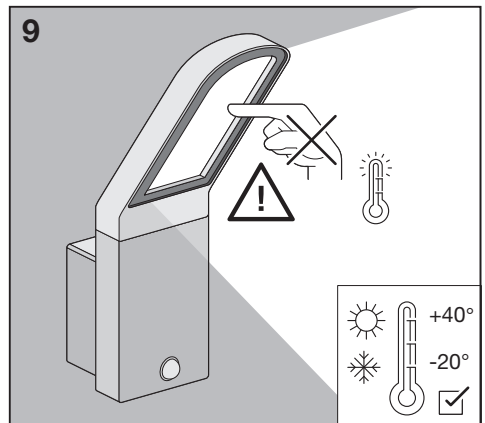
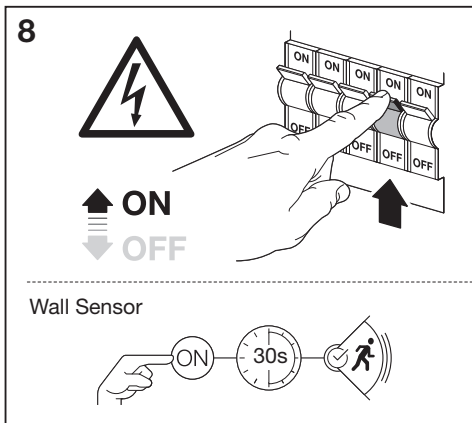
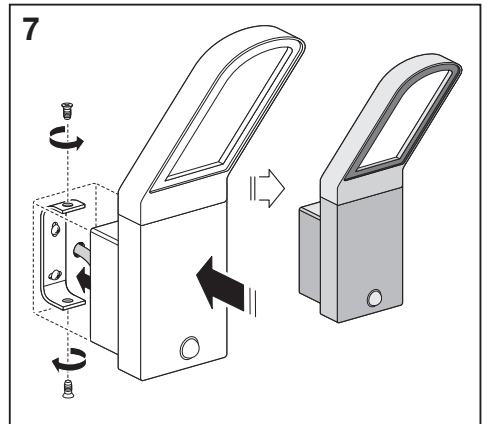
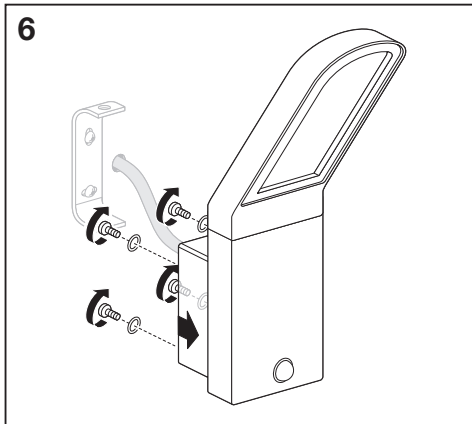
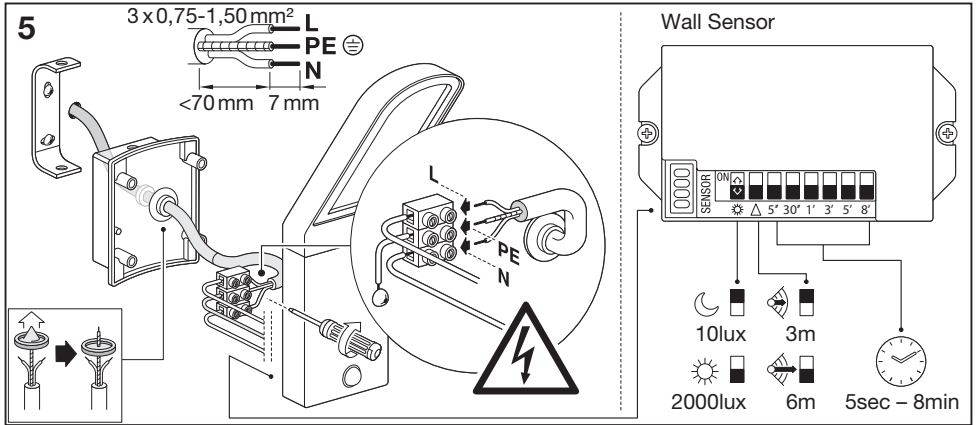

**ENDURA® STYLE
WALL**



	EAN	W	lm	K	⊖ (°C)	V~	mA	Hz	PF
ENDURA® STYLE WALL 12W DG	4058075214132	11.5	740	3000	-20...+40	220-240	96	50/60	>0.5
ENDURA® STYLE WALL 12W WT	4058075214156	11.5	770	3000	-20...+40	220-240	96	50/60	>0.5
ENDURA® STYLE WALL SENSOR 12W DG	4058075214170	12.2	740	3000	-20...+40	220-240	68	50/60	>0.5
ENDURA® STYLE WALL SENSOR 12W WT	4058075214194	12.2	770	3000	-20...+40	220-240	68	50/60	>0.5







C10449057
G11077741
29.05.2019



LEDVANCE GmbH
Steinerne Furt 62
86167 Augsburg, Germany
www.ledvance.com