

PRODUCT DATASHEET

ST9-EM 32 123° 20 W/4000K G10q

SubstiTUBE T9 EM | Circular LED tube for electromagnetic control gear and AC mains



AREAS OF APPLICATION

- General illumination within ambient temperatures from -20...+45 °C
- Corridors, stairways, parking garages
- Domestic applications
- Decorative applications

PRODUCT BENEFITS

- Quick, simple and safe replacement without rewiring
- Energy savings of up to 50% (compared to T9 fluorescent lamp on CCG)
- Also suitable for operation at low temperatures

PRODUCT FEATURES

- LED alternative to classic T9 fluorescent lamps in CCG luminaires
- Uniform illumination
- Lifetime: up to 30,000 h
- Mercury-free and RoHS compliant
- Luminous efficacy: up to 100 lm/W



TECHNICAL DATA

Electrical data

Rated wattage	20.00 W
Nominal voltage	220...240 V
Operating frequency	50...60 Hz
Nominal wattage	20.00 W
Nominal current	0.1 A
Type of current	AC
Power factor λ	> 0.90

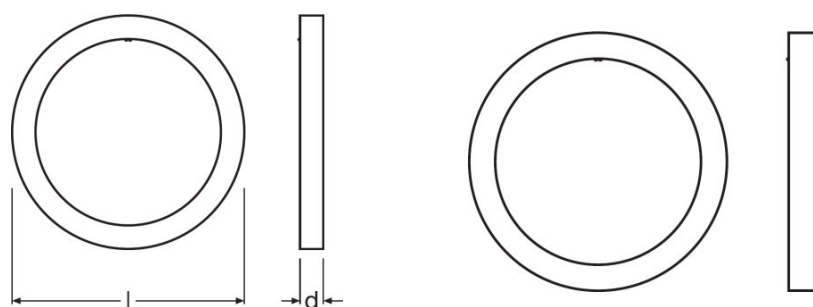
Photometrical data

Rated color temperature	4000 K
Nominal luminous flux	2000 lm
Rated luminous flux	2000 lm
Lumen main.fact.at end of nom.life time	0.70
Light color (designation)	Cool White
Color temperature	4000 K
Luminous flux	2000 lm
Color rendering index Ra	≥ 80
Standard deviation of color matching	≤ 6 sdc m

Light technical data

Starting time	< 0.5 s
Warm-up time (60 %)	< 0.50 s
Rated beam angle (half peak value)	123.00 °

Dimensions & weight



Product weight	217.00 g
Overall length	298.0 mm

Temperatures & operating conditions

Ambient temperature range	-20...+45 °C
---------------------------	--------------

Lifespan

Lifespan	30000 h
Nominal lamp life time	30000 h
Rated lamp life time	30000 h
Number of switching cycles	200000

Additional product data

Base (standard designation)	G10q
Mercury-free	Yes

Capabilities

Dimmable	No
----------	----

Certificates & standards

Type of protection	IP20
Standards	CE
Energy efficiency class	A+
Energy consumption	20 kWh/1000h

Country-specific categorizations

Order reference	ST9-32 20W/840
-----------------	----------------

Logistical data

Temperature range at storage	-20...+65 °C
------------------------------	--------------

EQUIPMENT / ACCESSORIES

- Suitable for operation with low-loss and conventional control gears
- Suitable for operation with AC mains

SAFETY ADVICE

Not suitable for operation with electronic control gear.

Operation in outdoor applications in suitable damp-proof luminaires possible according to data sheet and installation instruction.

LOGISTICAL DATA

Product code	Packaging unit (Pieces/Unit)	Dimensions (length x width x height)	Gross weight	Volume
--------------	------------------------------	--------------------------------------	--------------	--------

4058075135482	Folding carton box 1	38 mm x 307 mm x 338 mm	309.00 g	3.94 dm ³
4058075135499	Shipping carton box 10	385 mm x 325 mm x 330 mm	3469.00 g	41.29 dm ³

The mentioned product code describes the smallest quantity unit which can be ordered. One shipping unit can contain one or more single products. When placing an order, for the quantity please enter single or multiples of a shipping unit.

REFERENCES / LINKS

For current information see

▶ www.ledvance.com/substitute

LEGAL ADVICE

When used to replace a T9 fluorescent lamp the total energy efficiency and light distribution depends on the design of the lighting system.

DISCLAIMER

Subject to change without notice. Errors and omission excepted. Always make sure to use the most recent release.