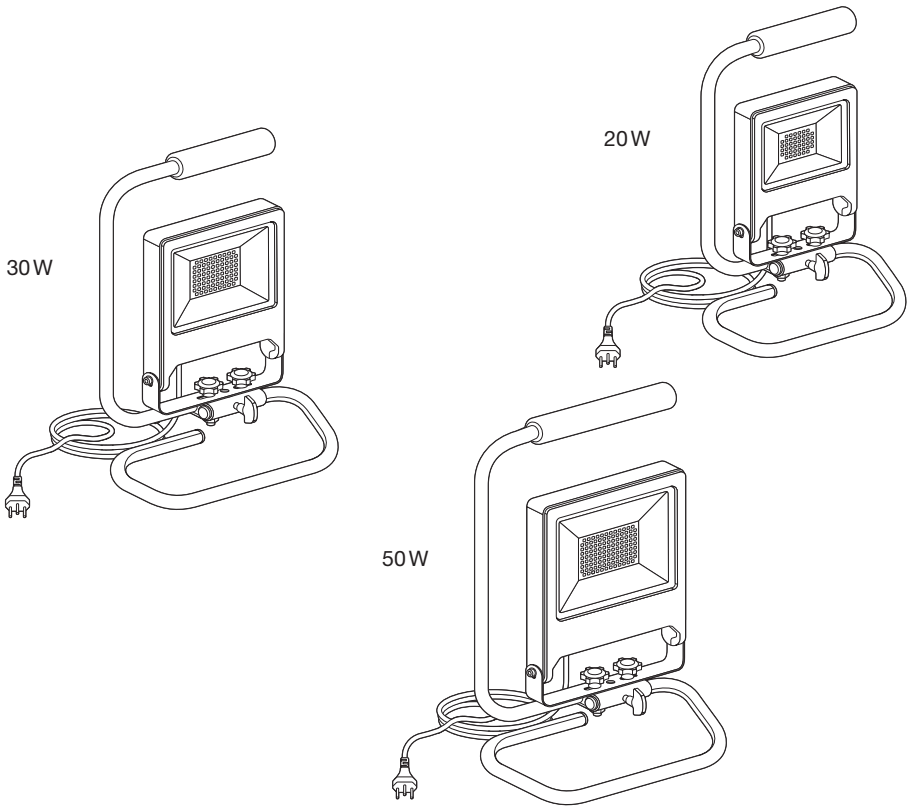
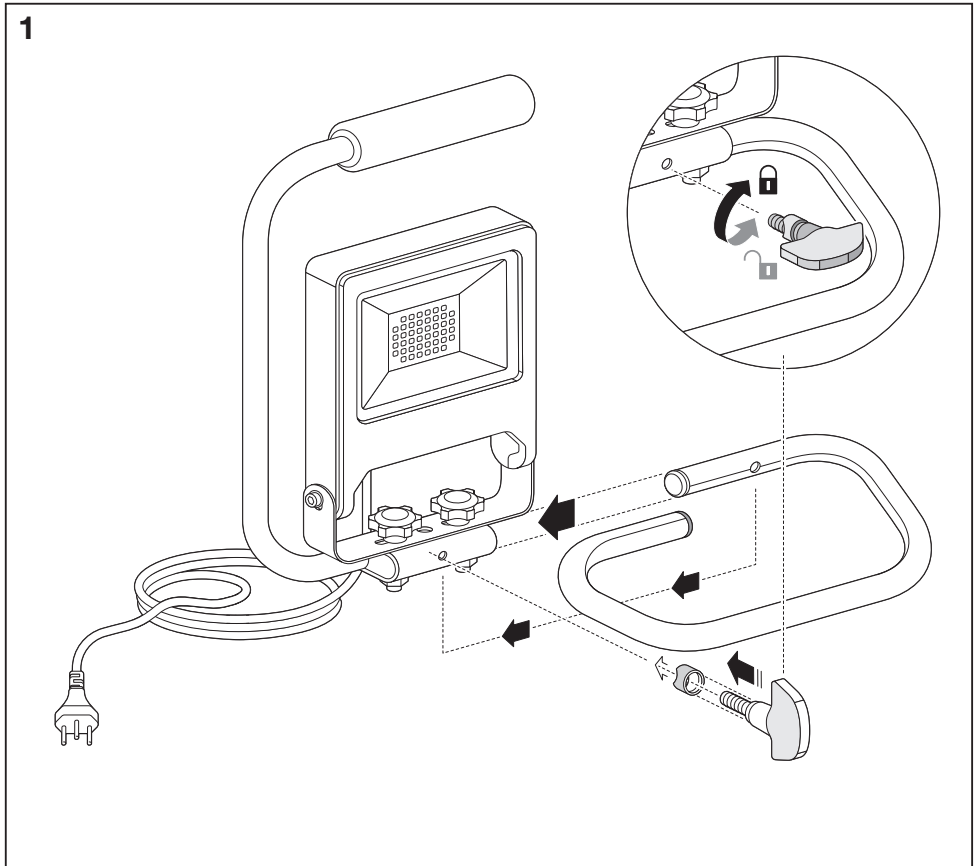
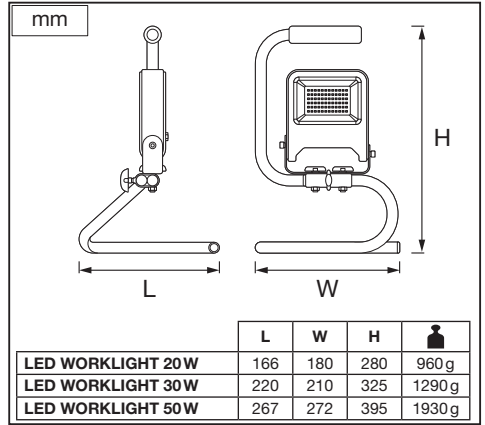
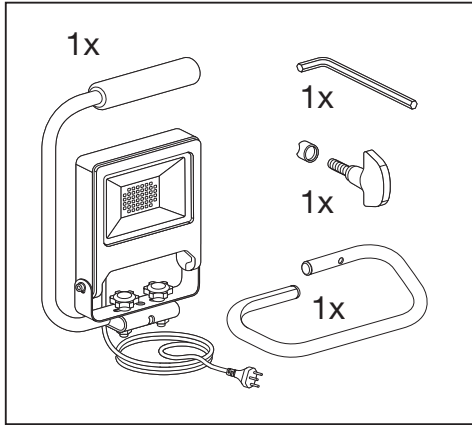
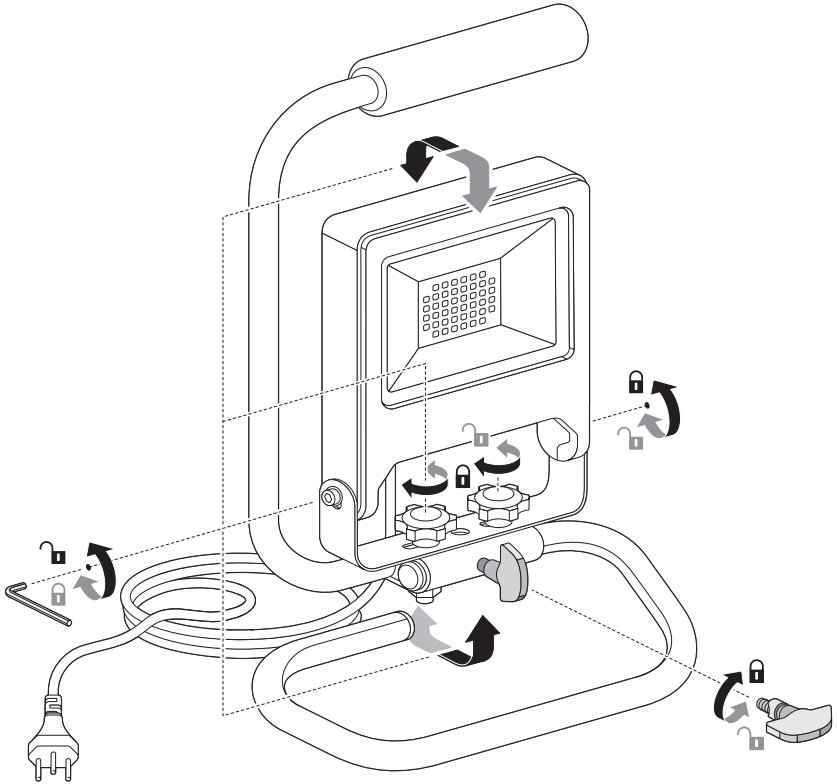

LED WORKLIGHT S-STAND



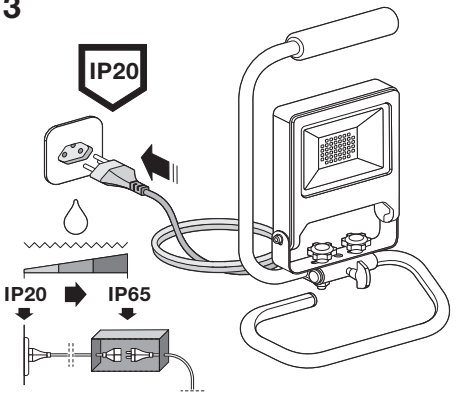
	EAN	W	lm	K	°C	V~	mA	Hz	PF
LED WORKLIGHT 20W 840 S-STAND CH	4058075403277	20	1700	4000	-20...+45	220-240	92	50/60	>0.9
LED WORKLIGHT 30W 840 S-STAND CH	4058075403291	30	2700	4000	-20...+45	220-240	145	50/60	>0.9
LED WORKLIGHT 50W 840 S-STAND CH	4058075403314	50	4500	4000	-20...+45	220-240	220	50/60	>0.9



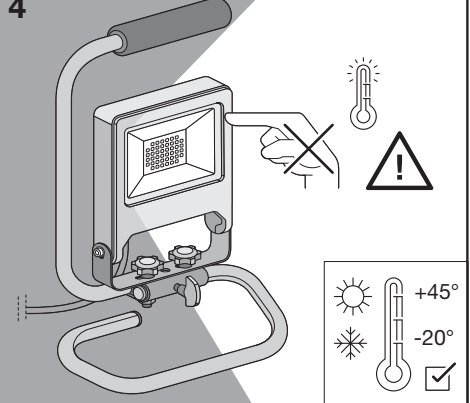
2

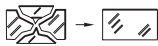
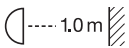


3



4





IP65

IP20



RoHS



C10449057
G11089038
17.12.2019



LEDVANCE GmbH
Steinerne Furt 62
86167 Augsburg, Germany
www.ledvance.com